

*Air
Logic*

Pneumatic Components and Systems

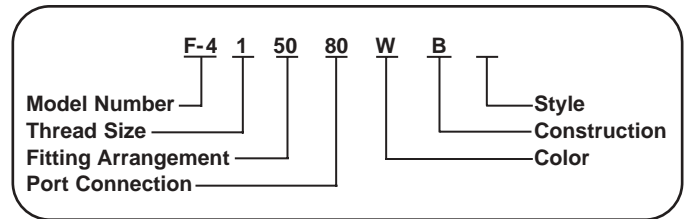


Miniature Quick Disconnects



Quick Disconnect Selection Guide

Please order by Model Number. After the Model Number has been selected, determine the Thread Size, Fitting Arrangement, Port Connection, Color, Style, and Construction. Black is the standard color, no accessory is required.



Introduction to Air Logic

The Air Logic Division of Fred Knapp Engraving Company designs and manufactures a comprehensive line of pneumatic and vacuum control equipment.

Air Logic is a manufacturer of miniature plastic Quick Disconnects. The patented design of the Quick Disconnect allows an easy and reliable connection. The unique Latch-Lock push-button provides a quick connection. For easy operation depress the Latch-Lock push-button for barb removal; re-insert to lock the barb into position. The audible click of the Latch-Lock push-button ensures a reliable connection.

The Quick Disconnect is available in three models: The Straight, the Elbow, or the Tee. The unique design allows the fitting to swivel 360°. The fitting is sealed with a Buna-N-O'ring. The Quick Disconnect is available with Barbs for 1/16", 1/8" or .170" I.D. tubing.

The barb fitting does not have a molded parting line on the first barb. The precision molded design prevents the barb from leaking.

The Quick Disconnect is available with 10-32 threads, the unique design of the threads allows the fitting to seal without a gasket.

The housing, barb, and Latch-Lock push-button are precision molded of Celcon Acetal. The unique design is patented. Patent #5,695,223.

Air Logic and *AL* are trademarks of Air Logic registered in the United States Patent and Trademark Office.

Model Number Selection by Position		
Number Position	Accessory Number	Description
F-4150-80	F-4	Quick Disconnect Family
Thread Size F-4150-80	1	10-32 UNF Threads
Fitting Arrangement F-4150-80	50	Straight
	54	Elbow
	55	Tee
Port Connection F-4150-80	80	Barb for 1/16" I.D. Tubing
	85	Barb for 1/8" I.D. Tubing
	86	Barb for .170" I.D. Tubing
Color F-4150-80W	W	White Black - Standard Color
Construction F-4150-80-WB	B	Barb Only
	H	Housing Only
	No Accessory Number is required	Complete Assembly Barb and Housing
Style F-4150-80-WB_	No Accessory Number is required	Straight Through Flow

INDEX

	Page
Quick Disconnect Overview	2
1/16" Quick Disconnect	3
1/8" Quick Disconnect	4
.170" Quick Disconnect	5

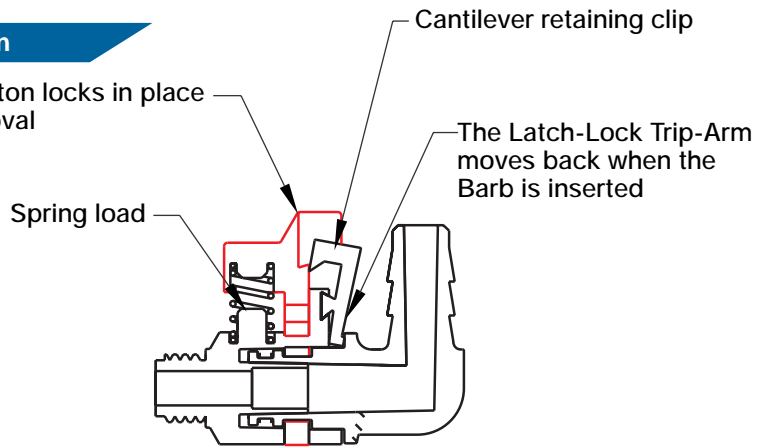
Model Number	Description	Barb Connection
F-4150-80	10-32 UNF x 1/16" Barb	Straight
F-4150-85	10-32 UNF x 1/8" Barb	
F-4150-86	10-32 UNF x .170" Barb	
F-4154-80	10-32 UNF x 1/16" Barb	Elbow
F-4154-85	10-32 UNF x 1/8" Barb	
F-4154-86	10-32 UNF x .170" Barb	
F-4155-80	10-32 UNF x 1/16" Barb	Tee
F-4155-85	10-32 UNF x 1/8" Barb	
F-4155-86	10-32 UNF x .170" Barb	



Miniature Quick Disconnects

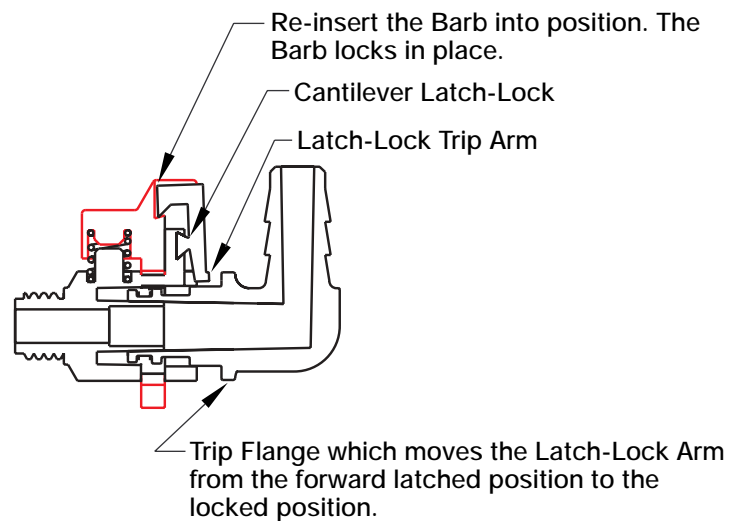
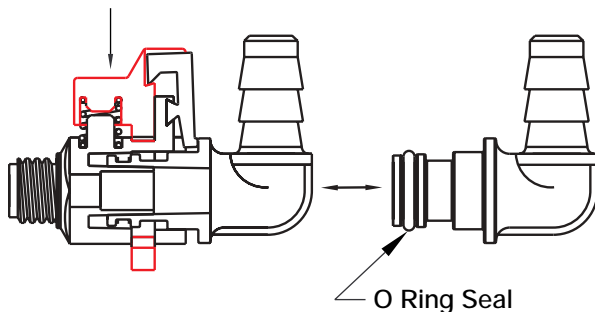
Unique Latch-Lock Push-Button

The push-button locks in place for Barb removal



Quick Disconnect Operation

Depress the Latch-Lock push-button for Barb Removal. The Barb is free to move in or out.



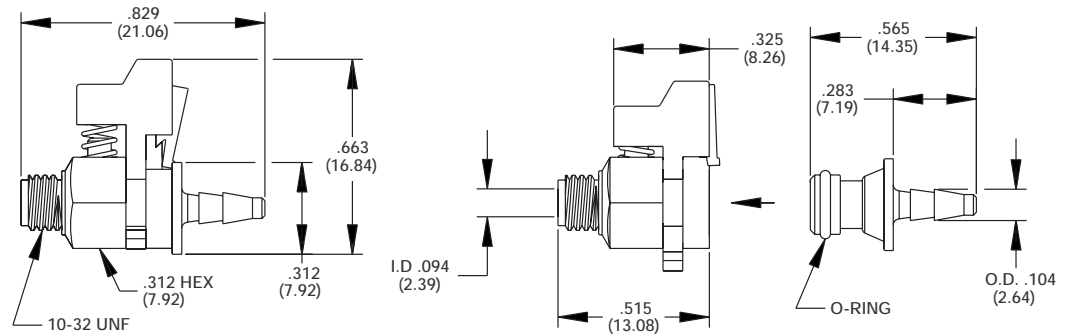
Ordering Information (Order by model number. Specify accessory letters or numbers for Thread Size, Fitting Arrangement, Port Connection, Color, Style, and Construction.)

Model Number	Thread Size	Barb Connection	Barb Size	Color	Construction	Style
F-4	1 -10-32 UNF	50 -Straight 54 -Elbow 55 -Tee	80 -1/16" 85 - 1/8" 86 - .170"	W-White	B -Barb Only H -Housing Only No Accessory number is required for complete assembly	No Accessory number is required for Straight Through Design

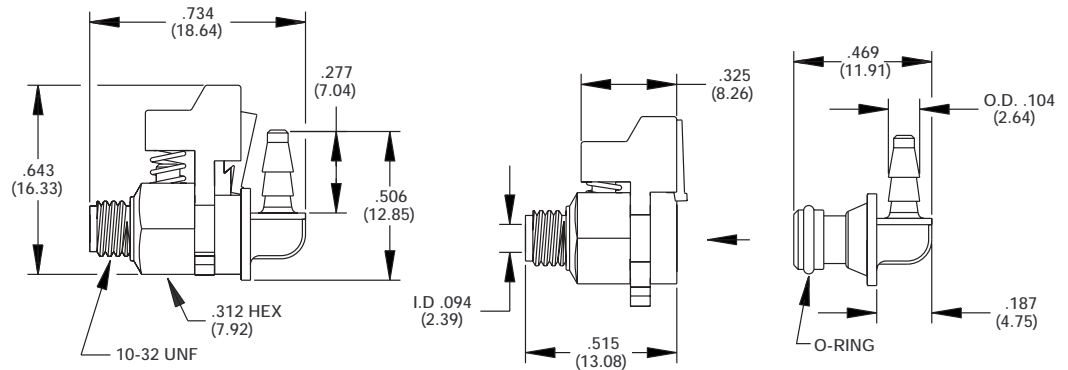
The Quick Disconnect Fitting is available in 3 models: The Straight, Elbow or Tee. The Fitting has 10-32 UNF Threads and a Barb for 1/16" I.D. Tubing.

- **Materials:** HOUSING-Celcon, **SPRING**-Stainless Steel, **O'RING**-Buna-N
- **Operating Temperature:** 40° to 120° F (5° to 48°C)
- **Maximum Supply:** 125 PSI. • **Color:** Black or White • **Patent #5,695,223.**

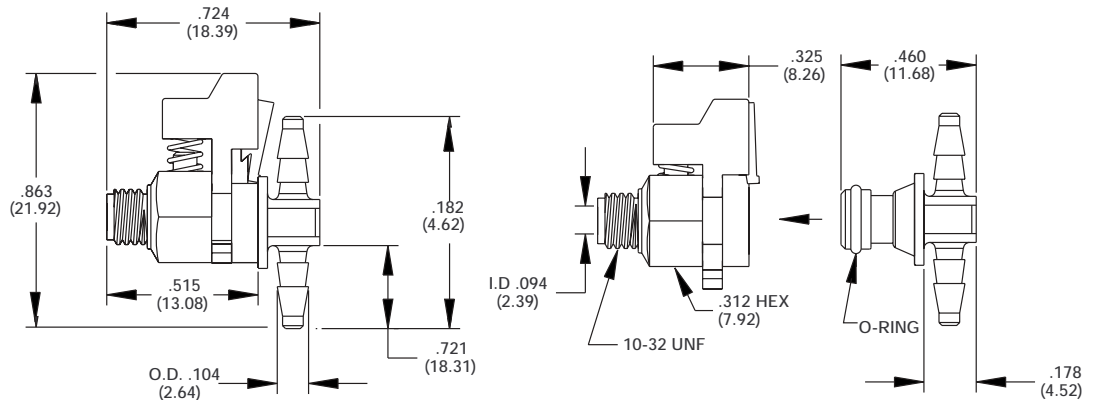
F-4150-80 Straight Quick Disconnect



F-4154-80 Elbow Quick Disconnect



F-4155-80 Tee Quick Disconnect



Quick Disconnect

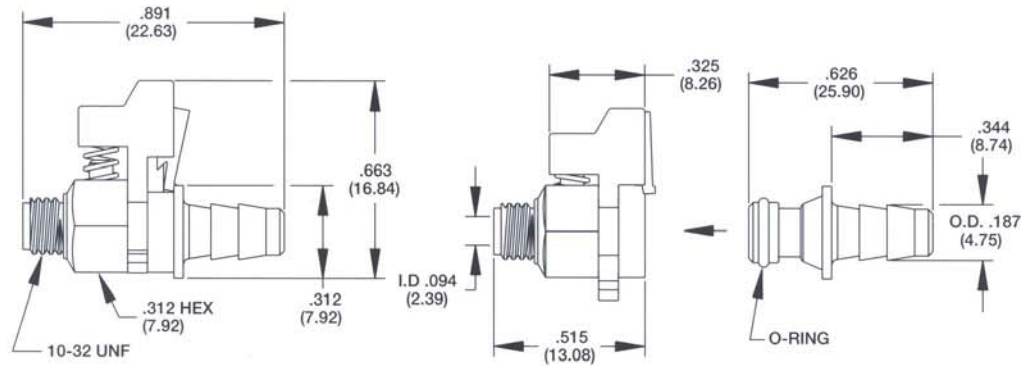
1/8" I.D. Barb

*Air
Logic*

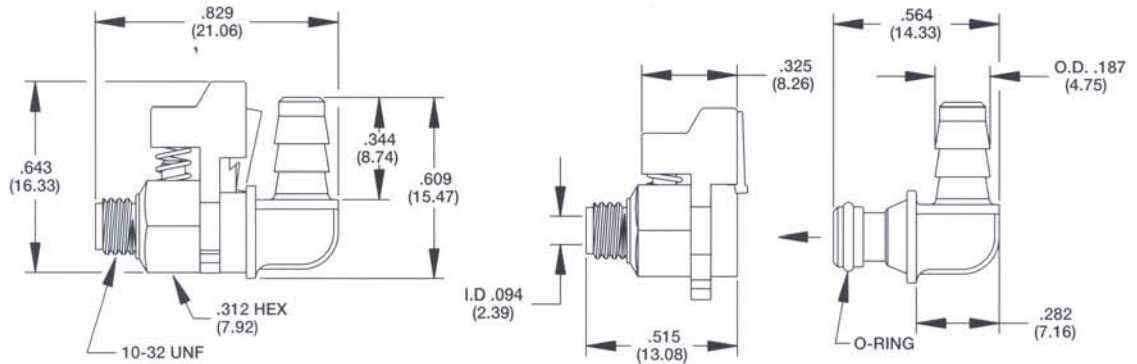
The Quick Disconnect Fitting is available in 3 models: The Straight, Elbow or Tee. The Fitting has 10-32 UNF Threads and a Barb for 1/8" I.D. Tubing.

- Materials: HOUSING-Celcon, SPRING-Stainless Steel, O'RING-Buna-N • Operating Temperature: 40° to 120° F (5° to 48°C)
- Maximum Supply: 125 PSI • Color: Black or White • Patent #5,695,223.

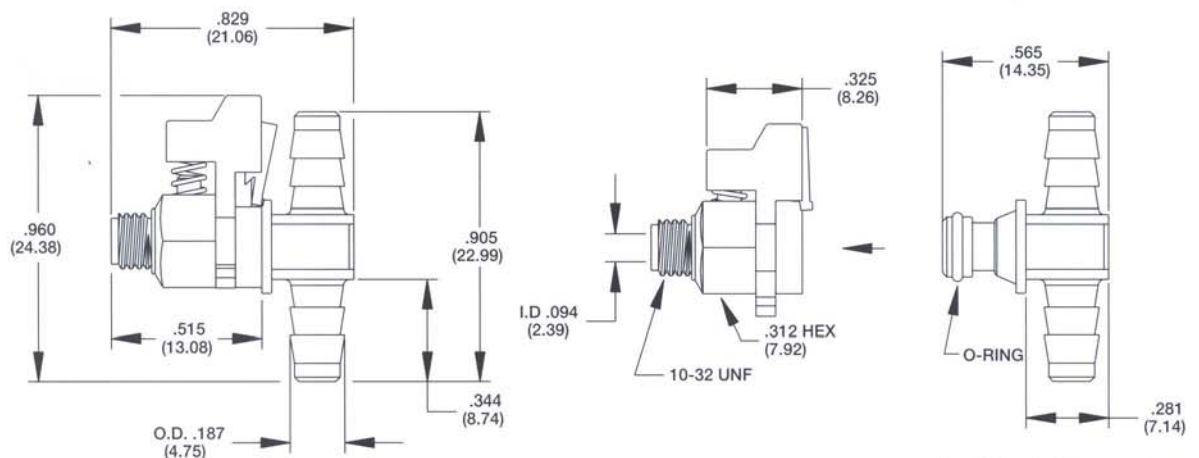
F-4150-85 Straight Quick Disconnect



F-4154-85 Elbow Quick Disconnect



F-4155-85 Tee Quick Disconnect



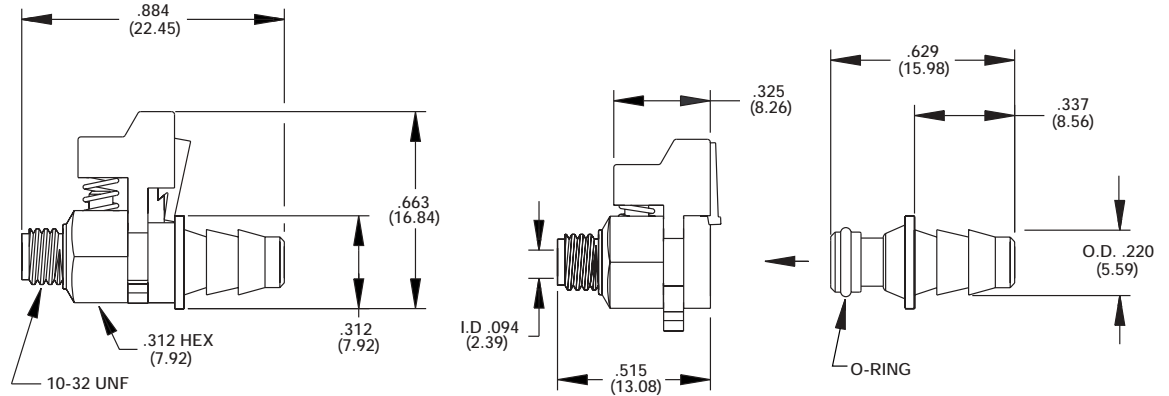
Patent #5,695,223

() = Metric Dimensions

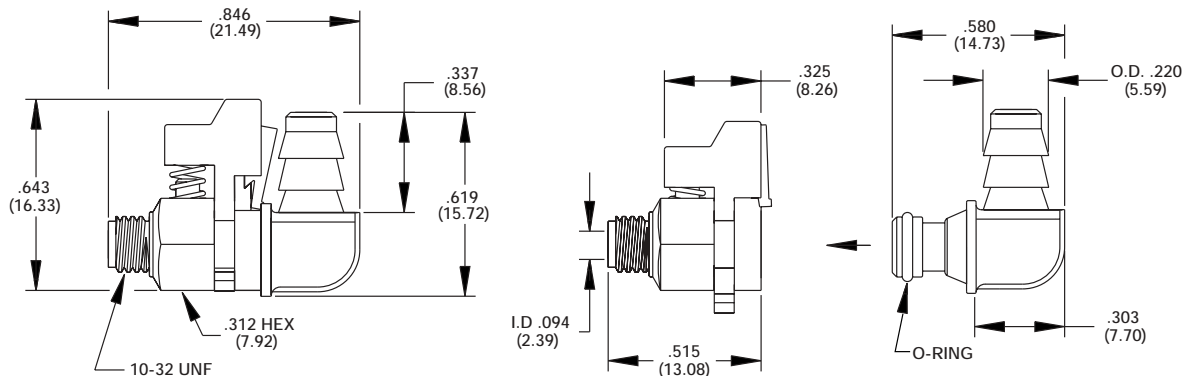
The Quick Disconnect Fitting is available in 3 models: The Straight, Elbow or Tee. The Fitting has 10-32 UNF Threads and a Barb for .170" I.D. Tubing.

- **Materials:** HOUSING-Celcon, **SPRING**-Stainless Steel, **O’RING**-Buna-N
- **Operating Temperature:** 40° to 120° F (5° to 48°C)
- **Maximum Supply:** 125 PSI. • **Color:** Black or White • **Patent #5,695,223.**

F-4150-86 Straight Quick Disconnect



F-4154-86 Elbow Quick Disconnect



F-4155-86 Tee Quick Disconnect

