

GENERAL PURPOSE VALVES



Series 30 >> Model 32

2-Way Normally Closed Valve

Complete range of valves particularly suitable when cost and size are major factors. The bodies are constructed of brass (stainless steel is optional). Air, water, and other fluids compatible with standard Buna seals. Hot water, steam, gasoline, and many oils require special seal materials.

- Brass body with stainless steel internal construction.
- A smaller, cost effective alternative to any industry standard.

Note: This valve also available as an operator. Refer to following page.

OPERATING CONDITIONS

Media: Air, water, and other fluids compatible with standard Buna seals. Hot water, steam, gasoline, and many oils require special seal materials. (Series 30 pressure ratings may change due to the viscosity of the liquid.)*

Valve Temperature Range: Standard Valves - 0°F (-18°C) to 104°F (40°C) ambient; 0°F (-18°C) to 150°F (65°C) media. Optional Valves - can tolerate much higher or much lower ambient and media temperatures.*

Maximum Operating Pressure Differentials: See table on proceeding page.

Burst Pressure: 5000 PSI

Leakage: Bubble tight for standard valves.

Vacuum: To 5 Microns*

ELECTRICAL CHARACTERISTICS

Coil Voltage: 6.0 to 650V AC 60 HZ. and 5.2 to 560V AC 50 HZ. – 2.0 to 240V DC

Nominal Power: AC – 7.0 Watts, DC – 8.0 Watts

Coil Construction: Molded (Std.), Non-molded Class A and potted Class F. (Class H optional)

Typical Response Time on Air: 4 - 16 Milliseconds

Operating Speed: Up to 600 CPM

Duty Cycle: Continuous

MECHANICAL CHARACTERISTICS

Body: Brass (Std.) or Stainless Steel (Opt.)

Internal Components: Stainless Steel

Elastomers: Nitrile (Buna) (Std.). Many other elastomers available.*

Orifice Diameter: See table on proceeding page.

Porting: Standard 1/8" NPT (other ports available).*

Housing: Grommet and 1/2" NPT conduit - many options available.*

Listings: Most valves are UL and CSA listed.*

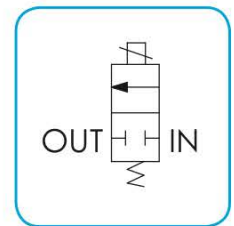
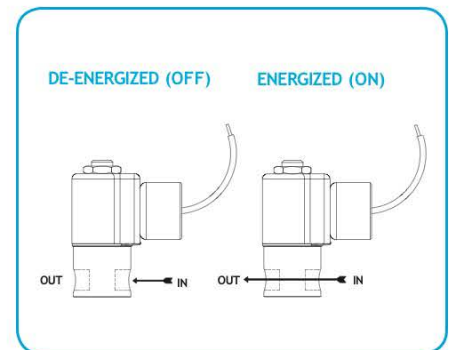
Life Expectancy: Millions of cycles, depending on application, lubrication, etc.

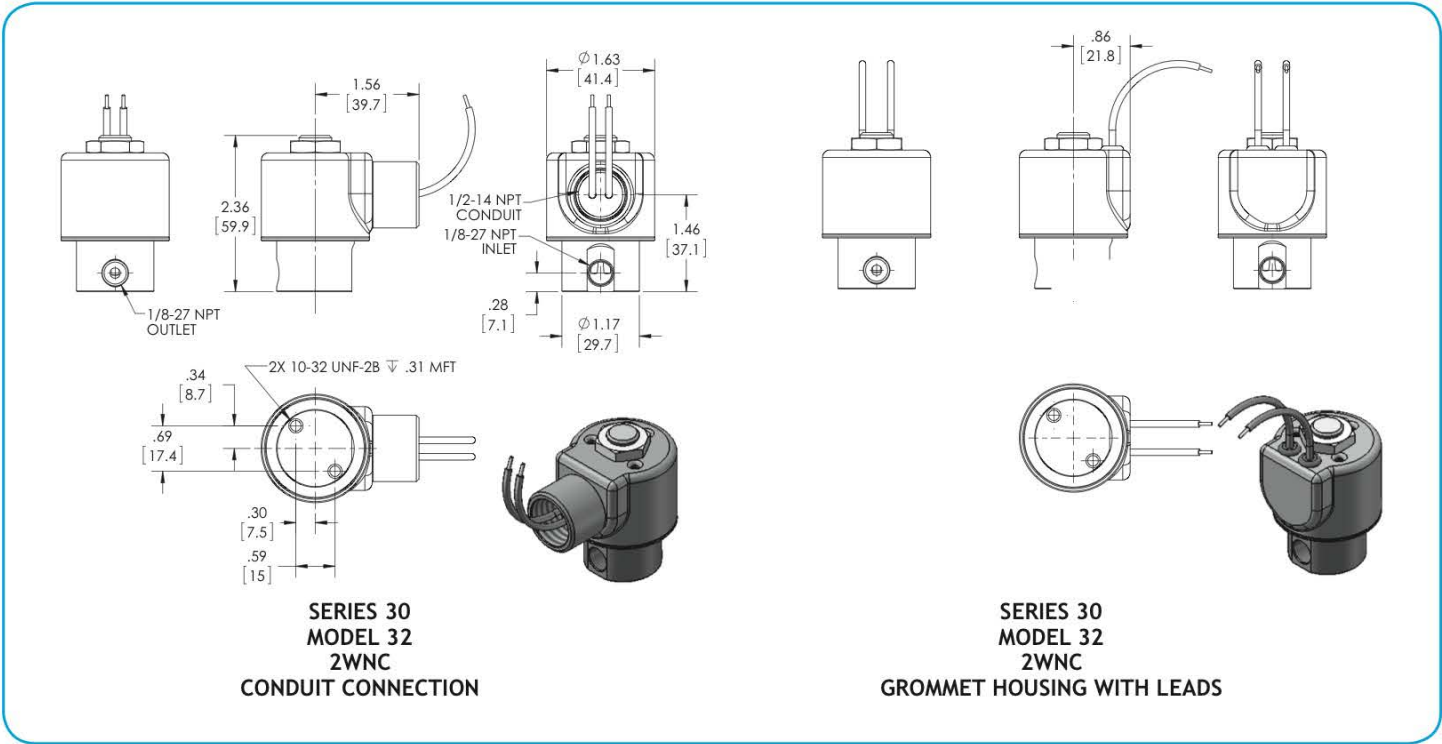
Valve Weight: Grommet Valve: 0.75 lb Conduit Valve: 0.81 lb

Repair Packs: See table on proceeding page.

Options: Alternate Port Locations, Metering, Manual Override, Alternate Elastomers, Spade Terminal Coil

* Consult representative or factory for options and specifications.





**SERIES 30
MODEL 32
2WNC
CONDUIT CONNECTION**

**SERIES 30
MODEL 32
2WNC
GROMMET HOUSING WITH LEADS**

VALVE SPECIFICATIONS

MAX. OPER. PRESS. DIFF.+		ORIFICE SIZE N.C.	CV FACTOR N.C.	VALVE NUMBER			
AC	DC			GROMMET HOUSING		CONDUIT HOUSING	
				1/8 NPT PORTS BRASS	1/8 NPT PORTS STAINLESS STEEL	1/8 NPT PORTS BRASS	1/8 NPT PORTS STAINLESS STEEL
375 (650)*	375 (650)*	1/32	.024	32G5DGM	—	32G5DCM	—
280 (650)*	280 (650)*	3/64	.055	32H5DGM	32H8DGM	32H5DCM	32H8DCM
275	250	1/16	.105	32J5DGM	32J8DGM	32J5DCM	32J8DCM
180	100	3/32	.195	32K5DGM	32K8DGM	32K5DCM	32K8DCM
130	80	7/64	.220	32L5DGM	32L8DGM	32L5DCM	32L8DCM
90	50	1/8	.275	32N5DGM	32N8DGM	32N5DCM	32N8DCM
60	25	5/32	.360	32O5DGM	32O8DGM	32O5DCM	32O8DCM
40	15	3/16	.400	32P5DGM	32P8DGM	32P5DCM	32P8DCM

* FKM seals not recommended for pressure above 500 psi.
+ Ratings in brackets are optional extended ratings; consult factory

ORDERING INFORMATION:

WHEN ORDERING VALVES OR REPAIR PACKS ADD VOLTAGE AND FREQUENCY TO COMPLETE VALVE NUMBER. EXAMPLES: VALVE (32N5DGM 120/60) REPAIR PACK (K32NDD AC)

WHEN ORDERING OPERATORS ADD THE LETTER "O" TO THE FRONT OF THE VALVE NUMBER, REPLACE BODY PORT NUMBER WITH THE LETTER "D": EXAMPLE: OPERATOR (O32N5DGM 120/60)