

Low Pressure Diaphragm



200 SERIES

- Sensitive capsule-type, non-fillable dry gauge
- Vacuum ranges through 0 psi to 10 psi
- 2-1/2" and 4" gauge sizes
- Black painted steel, stainless steel and impact-resistant ABS case
- Copper alloy and brass wetted parts

OPERATING SPECIFICATIONS

1. Working Pressure Limitations

a. Dynamic Pressure

The working pressure should be limited to 60% of the dial range.

b. Static Pressure

The working pressure, where no sharp fluctuations occur, should be limited to 90% of the dial range

APPLICATIONS

- Filter monitoring
- Gas distribution
- HVAC
- Leak detection
- Level indication
- Medical

	SERIES	SPECIFICATIONS
Pressure ranges	200 Series (all)	Extreme low pressure vacuum ranges through 0 psi to 10 psi
Accuracy	25-200, 25-210, 25-224	± 1.6% full scale
	25-206, 25-216	± 2.5% full scale
	40-200	± 1% full scale
Temperature ranges*	200 Series (all)	Media -4 °F to 140 °F (-20 °C to 60 °C) Ambient 0 °F to 140 °F (-18 °C to 60 °C)
Measuring element	25-200, 25-210, 25-224, 40-200	Copper alloy diaphragm capsule
Connection	200 Series (all)	1/4" NPT, brass
Case	25-200, 25-210	Black painted steel
	25-206, 25-216, 25-224	Black ABS (Acryl Nitril Butadien Styrol) with 25-224 includes zinc-plated steel panel mount clamp
	40-200	304 Stainless steel
Bezel	40-200	304 Stainless steel
Lens	25-200, 25-206, 25-210, 25-216, 25-224	Acrylic
	40-200	Instrument glass
Pointer	200 Series (all)	Black finished aluminum
Dial	200 Series (all)	Aluminum, white background with black scale. UV resistant.
Movement	25-200, 25-210, 25-224, 40-200	Brass and nickel-silver with highly polished bearing surfaces
	25-206, 25-216	Cu-Alloy

* For every 18 °F (10 °C) shift in temperature from which the gauge is calibrated, the user can experience up to ±0.4% additional error.

For details on accuracy/standard dial configuration and dial layouts, see pages 54-59.

ORDERING INFORMATION							
GAUGE SIZES	25 2-1/2"		40 4"				
CASE TYPES	200 Steel, bottom connection (304SS for 4")			216 ABS, back connection			
	206 ABS, bottom connection			224 ABS, panel mount			
	210 Steel, back connection			234 Gas pressure test kit**			
PRESSURE RANGES	15 inH ₂ O Vac -15 inH ₂ O to 0 inH ₂ O		100 inH ₂ O 0 inH ₂ O to 100 inH ₂ O		100 oz/in ² 0 oz/in ² to 100 oz/in ²		60 mbar 0 mbar to 60 mbar
	30 inH ₂ O Vac -30 inH ₂ O to 0 inH ₂ O		160 inH ₂ O 0 inH ₂ O to 160 inH ₂ O		160 oz/in ² 0 oz/in ² to 160 oz/in ²		100 mbar 0 mbar to 100 mbar
	60 inH ₂ O Vac -60 inH ₂ O to 0 inH ₂ O		200 inH ₂ O 0 inH ₂ O to 200 inH ₂ O		20 oz/in ² /inH ₂ O 0 oz/in ² /inH ₂ O to 20 oz/in ² /inH ₂ O		160 mbar 0 mbar to 160 mbar
	100 inH ₂ O Vac -100 inH ₂ O to 0 inH ₂ O		10 oz/in ² 0 oz/in ² to 10 oz/in ²		32 oz/in ² /inH ₂ O 0 oz/in ² /inH ₂ O to 32 oz/in ² /inH ₂ O		250 mbar 0 mbar to 250 mbar
	10 inH ₂ O 0 inH ₂ O to 10 inH ₂ O		15 oz/in ² 0 oz/in ² to 15 oz/in ²		3 psi 0 psi to 3 psi		400 mbar 0 mbar to 400 mbar
	15 inH ₂ O 0 inH ₂ O to 15 inH ₂ O		30 oz/in ² 0 oz/in ² to 30 oz/in ²		5 psi 0 psi to 5 psi		600 mbar 0 mbar to 600 mbar
	30 inH ₂ O 0 inH ₂ O to 30 inH ₂ O		35 oz/in ² 0 oz/in ² to 35 oz/in ²		10 psi 0 psi to 10 psi		
	60 inH ₂ O 0 inH ₂ O to 60 inH ₂ O		60 oz/in ² 0 oz/in ² to 60 oz/in ²		40 mbar 0 mbar to 40 mbar		
CONNECTION SIZE	1/4 1/4" NPT						
OPTIONS	BLRF Black Rear Flange		GL Glass Lens*		OP Over Pressure Protection		CCR Chrome Cover Ring
	SSRF 304SS Rear Flange		SG Safety Glass Lens*		SSBU Stainless Steel Bezel & U-Clamp		LM Laser Marking
	BLFF Black Front Flange		PL Acrylic Lens		BBU Black Bezel & U-Clamp		ST Stainless Steel Tagging
	SSFF 304SS Front Flange		RL Recalibrator Lens		BCR Black Cover Ring		BP3 Brass Press Fit Orifice 0.3 mm
	CFF Chrome Front Flange		SP Red Set Pointer		SSCR Stainless Steel Cover Ring		BT3 Brass Threaded Orifice 0.3 mm
	SSC Stainless Steel Case		MIP Maximum Indicating Pointer				

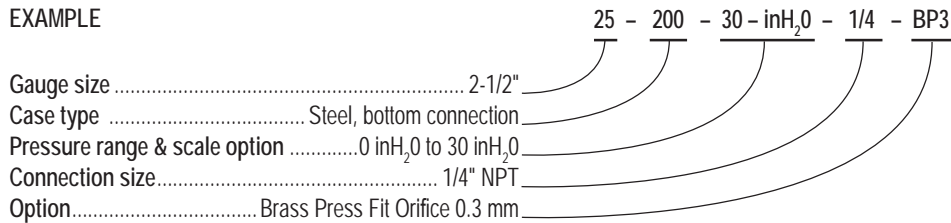
Please consult your local NOSHOK Distributor or NOSHOK, Inc. for availability and delivery information.

NOTE: Refer to 200 Series Options & Accessories chart on page 51 for availability by part number.

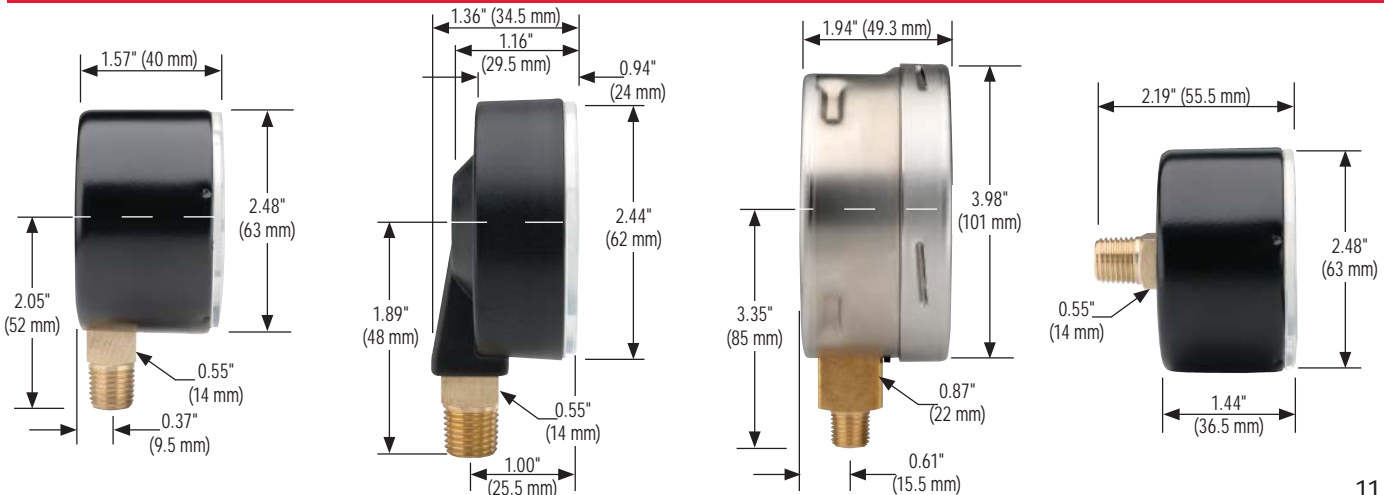
* A steel, stainless or chrome cover ring must be additionally ordered when lenses other than acrylic are utilized on all 200 Series

** Only available in 2-1/2" size, 20 oz/35 inH₂O

EXAMPLE



25-200
25-206
40-200
25-210



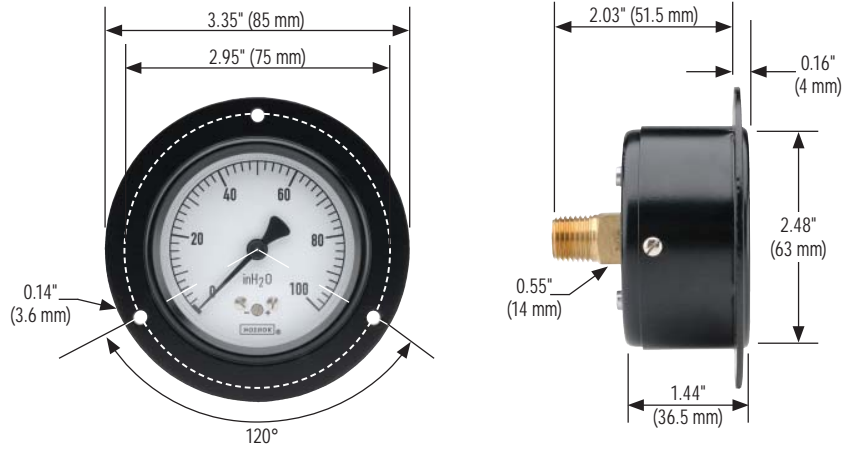
Dial Indicating Pressure Gauges

Dimensions

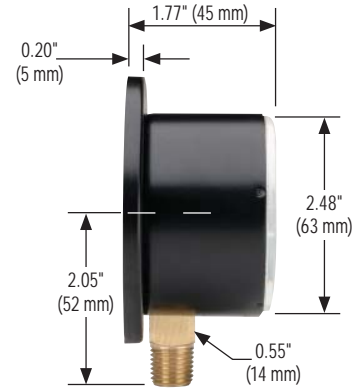
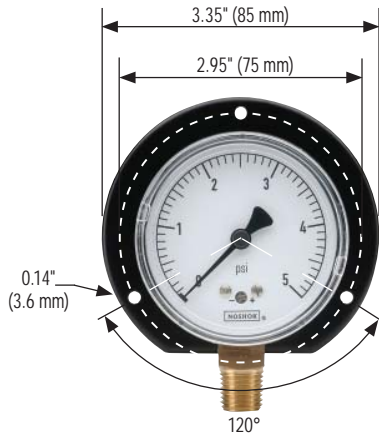
25-216



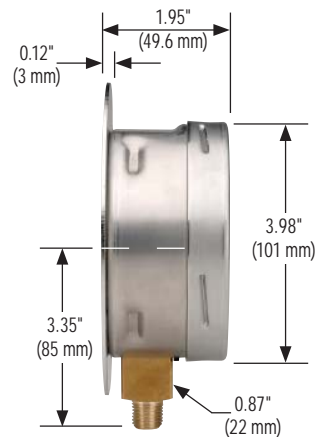
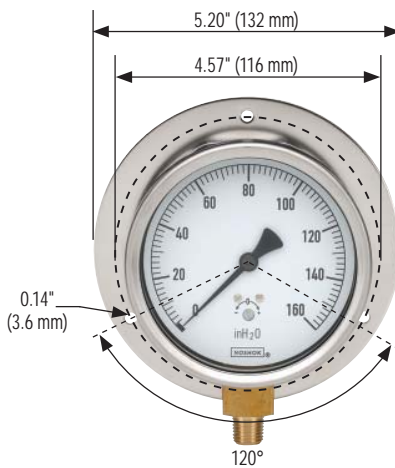
25-210 Front Flange



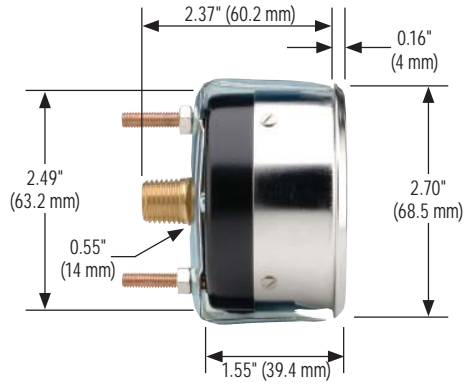
25-200 Rear Flange



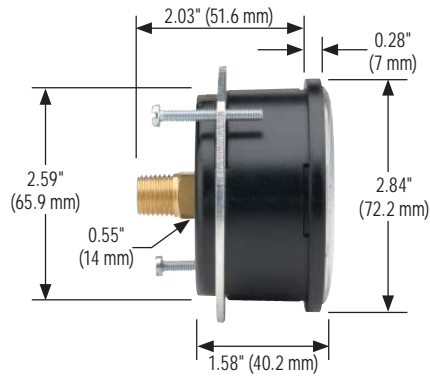
40-200 Rear Flange



25-210 Triangular Bezel w/U-Clamp



25-224 with Panel Mount Clamp



25-234

