

# Large Flow Lubricator

## Series AL800/900

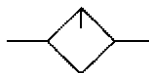
### Individual lubrication Large flow type



AL800

AL900

JIS Symbol



### Standard Specifications

Model	AL800	AL900
Port size	1 1/4 1 1/2	2
Fluid	Air	
Proof pressure	1.5 MPa	
Max. operating pressure	1.0 MPa	
Min. operating flow (ℓ/min (ANR)) <sup>Note)</sup>	1 1/4 : 460 1 1/2 : 650	1800
Bowl capacity (cm <sup>3</sup> )	440	
Recommended lubricant	Turbine oil Class 1 (With no additives), ISO VG32	
Ambient and fluid temperature	-5 to 60°C (No freezing)	
Bowl material	Polycarbonate	
Weight (kg)	1.62	1.67
Accessory (Standard)	Bowl guard	●

Note) • Conditions: Inlet pressure = 0.5 MPa, Number of drop = 5 drops/min, Turbine oil Class 1 (with no additives) ISO VG32, Temperature = 20°C, Needle fully open  
• Use consumption air flow for operating minimum flow.

### How to Order

AL 80 0 — 12 — 23 — R

• Option  
R Flow direction: Right → Left

• Port size

12	1 1/4
14	1 1/2
20	2

• Thread type

Nil	Rc
N	NPT
F	G

• Option

1	1000 cm <sup>3</sup> tank
1S-1	1000 cm <sup>3</sup> tank with switch (Bottom limit ON)
1S-2	1000 cm <sup>3</sup> tank with switch (Bottom limit OFF)
2	Metal bowl
3	With drain cock
6	Nylon bowl (Including sight glass)
8	Metal bowl with level gauge

• When specifying more than one option, please list alphabetically.  
(Example) 23-R

### Option Combinations

◎Available □Not available

Accessory, Option	Symbol	Option							
		1	1S-1	1S-2	2	3	6	8	R
1000 cm <sup>3</sup> tank	-1								◎
1000 cm <sup>3</sup> (With switch) Bottom limit ON	-1S-1								◎
1000 cm <sup>3</sup> (With switch) Bottom limit OFF	-1S-2								◎
Metal bowl	-2					◎			◎
Lubricator with drain cock	-3				◎		◎	◎	◎
Nylon bowl	-6					◎			◎
Metal bowl with level gauge	-8					◎			◎
Flow direction: Right → Left	-R	◎	◎	◎	◎	◎	◎	◎	◎

Note) -1, -1S-1 and -1S-2 are with metal bowl with level gauge and with drain cock.

F.R.L.

AV

AU

AF

AR

IR

VEX

AMR

ITV

IC

VBA

VE□

VY1

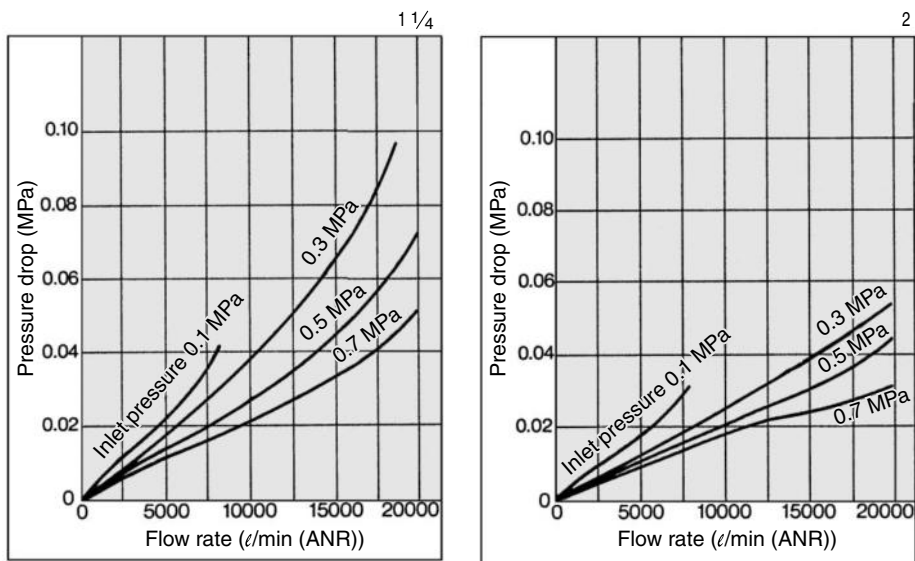
G

PPA

AL

# Series AL800/900

## Flow Characteristics

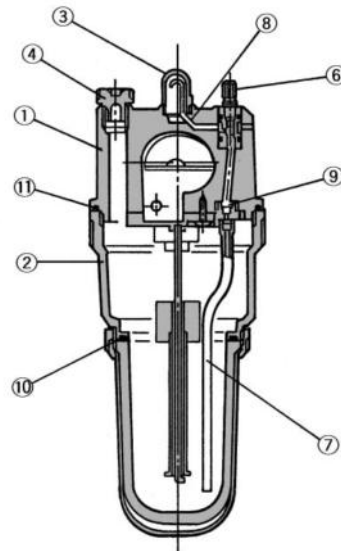
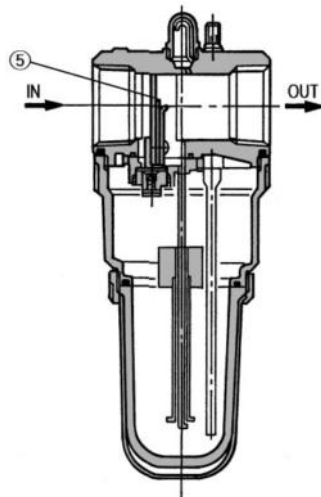


## Construction

JIS Symbol



AL800/900



## Component Parts

No.	Description	Material		Note
		AL800	AL900	
①	Body	Aluminum die-casted	Aluminum casted	Platinum silver painted
②	Housing	Aluminum die-casted		Platinum silver painted

## Replacement Parts

No.	Description	Material	Part no.	
			AL800	AL900
③	Sight dome	Polycarbonate	12316	12316
④	Lubrication plug assembly	—	12314PA	12314PA
⑤	Damper assembly	—	123413A-1 (1 1/4) 123413A-2 (1 1/2)	123528A
⑥	Needle stud assembly	—	123128PA	123128PA
⑦	Siphon tube assembly	—	123321A	123321A
⑧	Sight dome seal	Urethane resin	12318	12318
⑨	Siphon nut seal	Urethane resin	123111	123111
⑩	Bowl O-ring	NBR	113136	113136
⑪	Housing O-ring	NBR	JIS B 2401G90	JIS B 2401G90

# Large Flow Type Lubricator Series AL800/900

## Dimensions

**AL800/900**

Model	Port size D	A	B	C	E
AL800	1 1/4, 1 1/2	100	283	59	125
AL900	2	100	288	63	125

## Option

**Metal bowl**

**Metal bowl with level gauge**

Model	Metal bowl B	Metal bowl with level gauge B
AL800	275	307
AL900	280	312

## Option Specifications/1000 cm<sup>3</sup> Tank

**Float switch**  
 Contact point capacity: AC: 15 VA, DC: 15 W  
 Contact point construction: 1a, 1b

Model	Port size J	A	B*	C	D	E	F	G	H	I
AL800-12 to 14-1	1 1/4, 1 1/2	100	431 (481)	59	166	ø117	60	73	3-M5 x 0.8 x depth 6	230
AL900-20-1	2	100	437 (487)	63	162	ø117	60	73	3-M5 x 0.8 x depth 6	230

\* ( ): With float switch

F.R.L.

AV

AU

AF

AR

IR

VEX

AMR

ITV

IC

VBA

VE□

VY1

G

PPA

AL