

# SMC *P.G. Information*

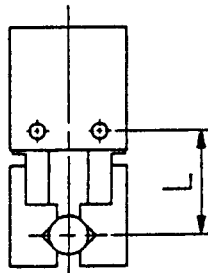
## Angular Style Air Gripper MHC2-7S-X2605

Application : Holding & transfer of a small work piece

Feature 1 : Compact, Light

Comparison with Standard Products

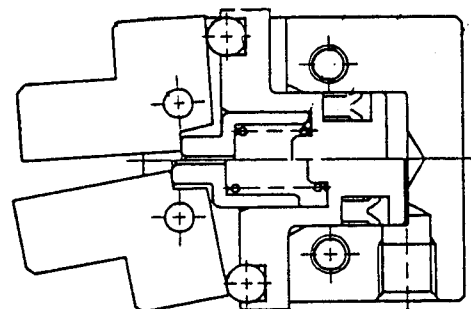
1: Only single-acting (Normally opened)



(Note)

L : Distance from holding point [mm]

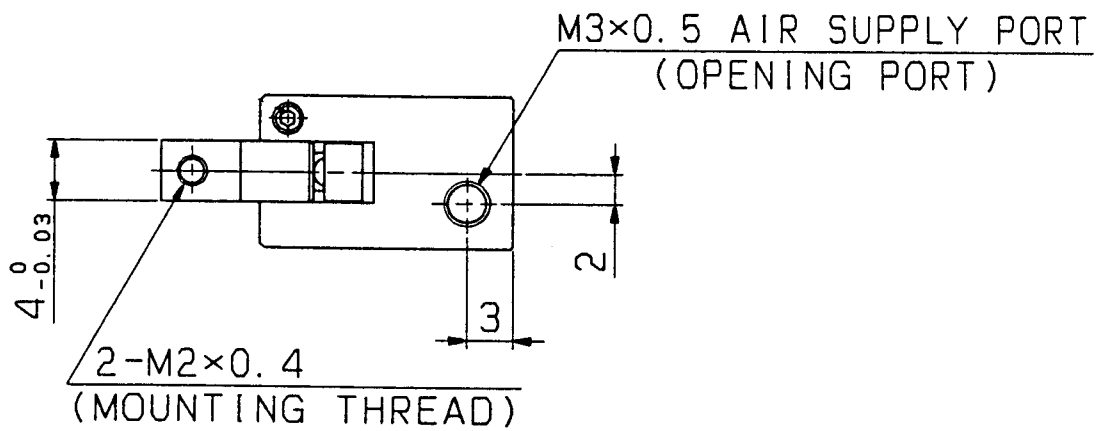
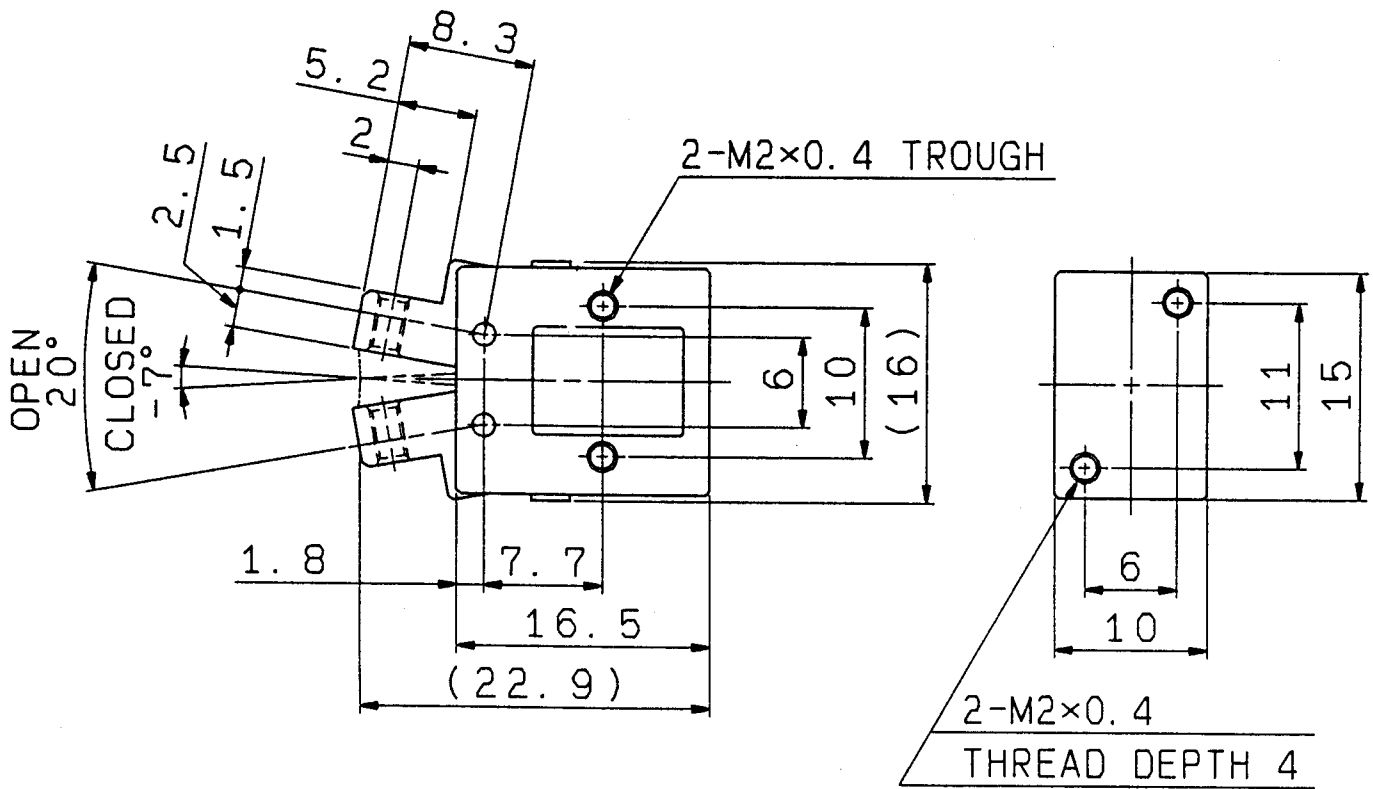
Cross section drawing



### Specifications

Fluid	Air
Operating pressure	0.4 to 0.6 MPa {4.1 to 6.1 kgf/cm <sup>2</sup> }
Ambient & fluid temperature	-10 to 60°C
Holding Force	N (kgf) 26.6/L (2.7/L) (Note)
Finger stroke (Both sides)	-7° to +20°
Max working frequency	180 c.p.m.
Lubrication	Non-lube
Weight	9g
Operation type	Single action (Normally open type only)

# Dimensions



NOTE : Switch can not be mounted