

Related Products: Motor Operated Auto Drain Series ADM200

Reliably discharges even highly viscous drainage

Highly resistant to dust and highly viscous drainage, the valve opens and closes reliably to discharge the drainage.

Large drain discharge capacity

With a large discharge port, a large amount of drainage can be discharged in a single operation.

Elimination of residual drainage from inside of the tank and pipes prevents the generation of foreign matter as a result of dried rust or drainage, which could adversely affect the equipment located on the outlet side.

Low power consumption: 4 W

A long pipe can also be connected to the discharge port.

It can be connected directly to a compressor.



Model/Specifications

| Model | ADM200-□□-□ |
|-------------------------------|---|
| Fluid | Air |
| Max. operating pressure | 1.0 MPa |
| Proof pressure | 1.5 MPa |
| Ambient and fluid temperature | -5 to 60°C (No freezing) |
| Operating cycle* | 1 cycle in a minute (Standard) |
| Operating time | 2 sec./cycle (Standard) |
| Power source | 100, 200 VAC ^{50/60} Hz, Other |
| Power consumption | 4 W |
| Port size | IN: Rc 3/8, 1/2 OUT: Rc 3/8 |
| Weight | 550 g |

* If the operating cycle is twice in a minute (op. time 2 sec. x 2) operating time is 4 sec. each minute.

⚠ Precautions

Be sure to read before handling. Refer to pages 14-21-3 to 4 for Safety Instructions and Common Precautions on the products mentioned in this catalog, and refer to pages 14-14-6 to 8 for Precautions on every series.

Mounting

- ⚠ Warning**
1. Install this product after discharging the drainage that has already accumulated in

the tank. Failure to observe this precaution could lead to malfunctions.

2. Install this product, so that its drain port faces down. Failure to observe this precaution could lead to malfunctions.

- ⚠ Caution**
1. Provide a stop valve before ADM200 to facilitate maintenance and inspection.

Maintenance

- ⚠ Caution**
1. If the valve becomes clogged with debris, press the manual button to flush out the debris. Failure to observe this precaution could lead to malfunctions.

How to Order



Port size

| Symbol | IN | OUT |
|--------|-----|-----|
| 03 | 3/8 | 3/8 |
| 04 | 1/2 | 3/8 |

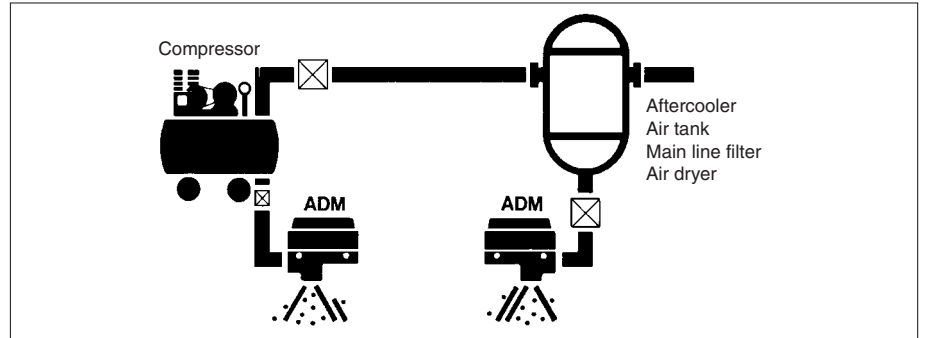
Voltage

| | |
|---|-----------------------------|
| 1 | 100 VAC ^{50/60} Hz |
| 2 | 200 VAC ^{50/60} Hz |
| 3 | 240 VAC ^{50/60} Hz |
| 4 | 110 VAC ^{50/60} Hz |
| 5 | 220 VAC ^{50/60} Hz |
| 6 | 24 VDC |
| 7 | 12 VDC |

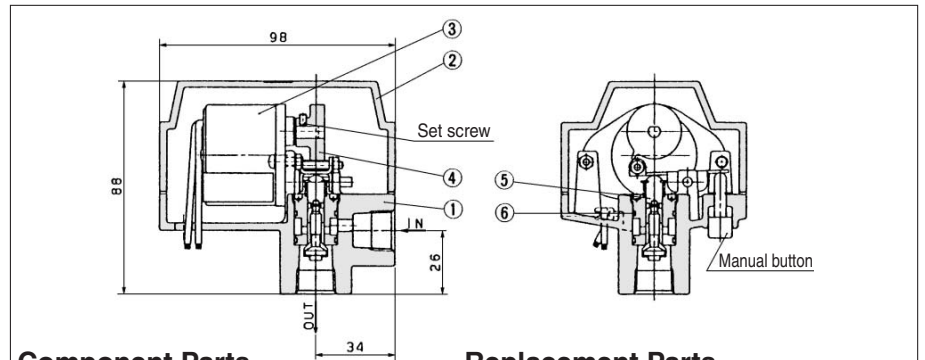
Operating time/ Applicable compressor

| | |
|-----|--|
| Nil | 2 sec/min (1 cycle/min) /3.7 to 37 kW |
| 4 | 4 sec/min (2 cycle/min) /37 to 75 kW |
| 6 | 6 sec/min (3 cycle/min) /75 to 110 kW |
| 8 | 8 sec/min (4 cycle/min) /220 to 370 kW |

Mounting Example



Construction/Dimensions



Component Parts

| No. | Description | Material | Note |
|-----|-------------|----------|----------------|
| ① | Body | ADC12 | Chrome treated |
| ② | Cap | ADC12 | Chrome treated |

Replacement Parts

| No. | Description | Material | Part no. |
|--------------------|----------------|----------|--|
| ③ ^{Note)} | Motor | — | 812PG-voltage |
| | | | Operating time 201324 (Nil) 201325 (4) 201326 (6) 201327 (8) |
| ④ | Cam | SCS13 | |
| ⑤ | Valve assembly | C3604B | 20137-1A |
| ⑥ | O-ring | NBR | S-16 |

Note) Motor port no. in the case of 100 VAC: 812PG-100VAC