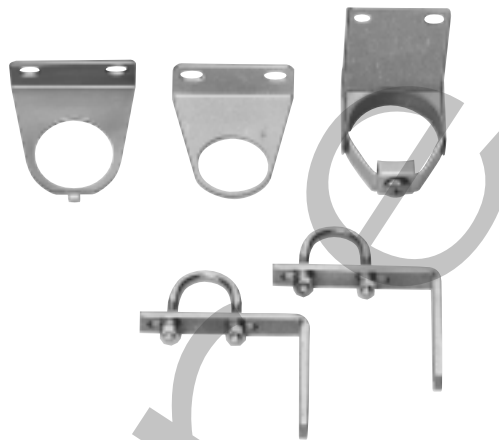


BRACKETS



Bracket Types and Application Devices

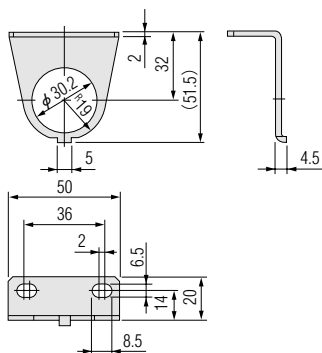
Device type	Bracket type	Remarks
F.R.L. combination	C150	8-15D
	C200	8-20D
	C300	8-30D
	C400	8-40D
	C600	8-60D
Filter regulator	FR150	8-15 (8-15A)
	FR300	8-30 (8-30A · 8-60B)
	FR600	8-65 (8-60B)
Air filter	F150	8-15A
	F300	8-30A (8-60B)
	F600	8-60B
Mist filter	MF300	8-30A (8-60B)
	MF400	8-60B
	MF600	
Micro mist filter	MMF150	8-30A (8-60B)
	MMF300	8-60B
	MMF400	
Regulator	R150	8-15
	R300	8-30 (8-60B)
	R600	8-65 (8-60B)
Precision regulator	PR200	Specialized bracket
Manifold regulator	MR300	8-30D
Lubricator	L150	8-15A
	L300	8-30A (8-60B)
	L600	8-60B
Residual pressure exhaust valve	300V	Specialized bracket
	600V	

Note: () indicates non-standard bracket types that can also be used.

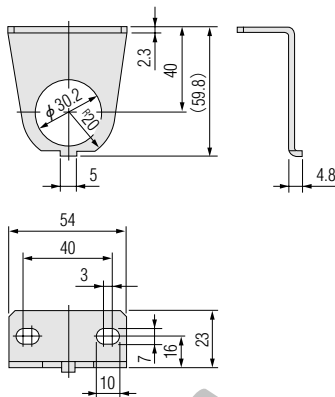
Dimensional Drawings for Brackets (Unit: mm)

For Filter Regulators and Regulators

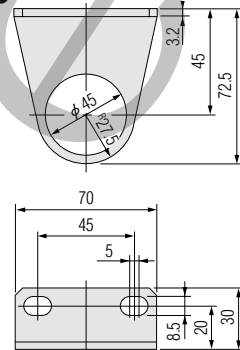
8-15



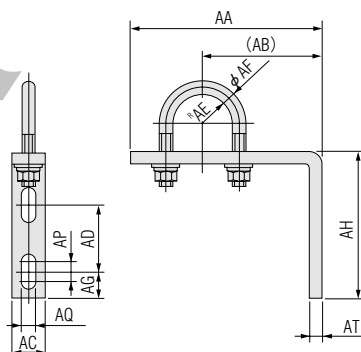
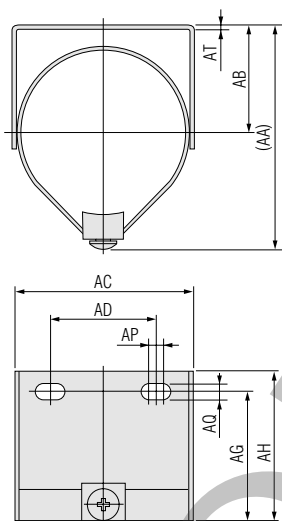
8-30



8-65



For Air Filters, Mist Filters, Micro Mist Filters and Lubricators



Model	Code	AA	AB	AC	AD	AG	AH	AP	AQ	AT
8-15A		64	32	46	32	50	56	2	6.4	1.2
8-30A		84	40	66.8	40	48	56	5	6.4	1.2

Model	Code	AA	AB	AC	AD	AE	AF	AG	AH	AP	AQ	AT
8-60B		72	45	12	25	11	5	10	55	7	5.5	4.5

● See pages 60 and page 72 for Bracket Dimensions of precision regulators and residual pressure exhaust valves, respectively.