

## Plastic Body Medical Valve



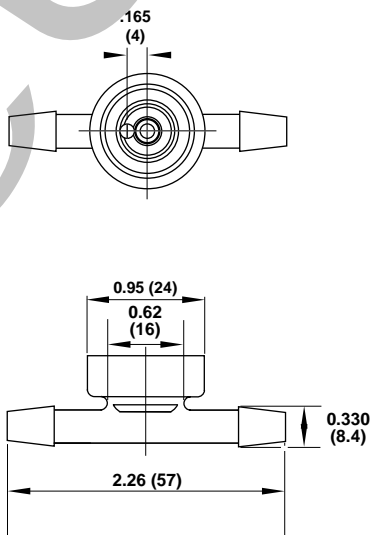
Bi-Directional Valve part number **2X1958-Voltage\***

This plastic body valve is primarily used in the medical industry. KIP offers this valve for Series 2, 2-way normally closed, applications. It has a quiet valve design, which provides noise-reduction within the valve.

Bayblend FR110, ABS and Polycarbonate are the compounds used in constructing this barbed body valve.

With a 1/8" orifice, this valve has a maximum PSI of 30 and a Cv of .245. The power rating for the valve is 7 watts (nominal).

\*Note: All AC valves are full wave rectified



All Dimensions in Inches (mm)