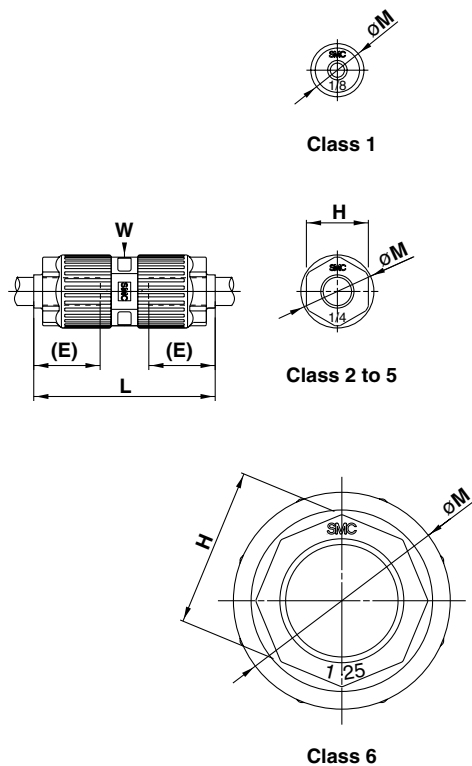
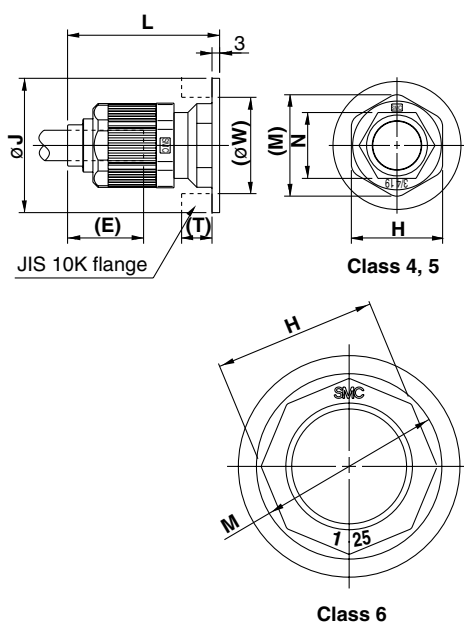


## Union: LQ1U



(E) shows the approximate dimension of the inserted tubing from the end of the nut.  
 "W" is width across flats dimension.

## Union Flange: LQ1F



(E) shows the approximate dimension of the inserted tubing from the end of the nut.  
 (W) is the bore size of the JIS flange required for mounting. This flange is sold separately.  
 When ordering nuts as spare parts, size 4 and 5 are as shown below.

LQ1F4□: LQ-4N□□  
 LQ1F5□: LQ-5N□□

### Metric sizes

Model	Applicable tubing O.D.	E	H	L	M	W
LQ1U11□□	ø4	10	—	29	11.5	10
LQ1U12□□	ø3					
LQ1U21□□	ø6	15	14	41	16.5	14
LQ1U22□□	ø4					
LQ1U31□□	ø10	20	17	54	23	17
LQ1U32□□	ø8					
LQ1U33□□	ø6					
LQ1U41□□	ø12	24	21	63	28	21
LQ1U42□□	ø10					
LQ1U51□□	ø19	29	26	77	39	26
LQ1U52□□	ø12					
LQ1U61□□	ø25	39.5	36	102	49	36
LQ1U62□□	ø19					

### Inch sizes

Model	Applicable tubing O.D.	E	H	L	M	W
LQ1U1A□□	1/8"	10	—	29	11.5	10
LQ1U2A□□	1/4"					
LQ1U2B□□	3/16"	15	14	41	16.5	14
LQ1U2C□□	1/8"					
LQ1U3A□□	3/8"	20	17	54	23	17
LQ1U3B□□	1/4"					
LQ1U4A□□	1/2"					
LQ1U4B□□	3/8"	24	21	63	28	21
LQ1U5A□□	3/4"					
LQ1U5B□□	1/2"	29	26	77	39	26
LQ1U6A□□	1"					
LQ1U6B□□	3/4"	39.5	36	102	49	36

### Metric sizes

Model	Applicable tubing O.D.	E	H	J	L	N	M	W	(T)
LQ1F41	ø12	28	30	ø53	60	21	33.1	ø34	12
LQ1F42	ø10				58				
LQ1F51	ø19	32	36	ø58	65.2	26	40	ø41	14
LQ1F52	ø12				63.2				
LQ1F61	ø25	39.5	36	ø69	81.5	—	49	ø51	14
LQ1F62	ø19				81.5				

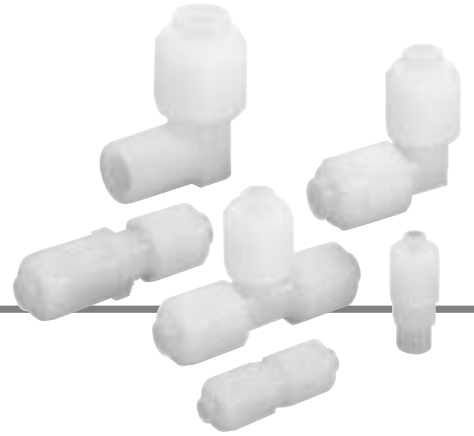
### Inch sizes

Model	Applicable tubing O.D.	E	H	J	L	N	M	W	(T)
LQ1F4A	1/2"	28	30	ø53	60	21	33.1	ø34	12
LQ1F4B	3/8"				58				
LQ1F5A	3/4"	32	36	ø58	65.2	26	40	ø41	14
LQ1F5B	1/2"				63.2				
LQ1F6A	1"	39.5	36	ø69	81.5	—	49	ø51	14
LQ1F6B	3/4"				81.5				

# High Purity Fluoropolymer Fittings

## HYPER FITTING®

# Series LQ2



### How to Order

Threaded connection

LQ2 H 21 [ ] - M [ ]

Fitting type

Symbol	Type
H	Connector
L	Elbow
B	Branch tee
R	Run tee

Thread type

Symbol	Type
Nil	R, Rc
N	NPT

Piping type

Symbol	Type
M	Male
F	Female

For different diameter (on B side)

Symbol	Application
Nil	Same tubing size
Refer to the applicable tubing table.	Different diameter tubing can be selected within the same body class.
LQ2B	
Branch tee male	Branch tee female
LQ2R	
Run tee male	Run tee female

The table of combination is the same as that for A side.

Note) Only branch tees and run tees can take different diameters.



Size combination

Class	No.	Applicable tubing size (mm)	Tubing O.D.
2	1	6 x 4	1/8"
2	2	4 x 3	
2	3	6 x 4	
2	4	4 x 3	1/4"
3	1	10 x 8	1/4"
3	2	8 x 6	
3	3	6 x 4	
3	4	10 x 8	3/8"
3	5	8 x 6	
3	6	6 x 4	
4	1	12 x 10	3/8"
4	2	10 x 8	
4	3	12 x 10	
4	4	10 x 8	1/2"
5	1	19 x 16	1/2"
5	2	12 x 10	
5	3	19 x 16	3/4"
5	4	12 x 10	

Class	No.	Applicable tubing size (inch)	Tubing O.D.
2	A	1/4" x 5/32"	1/8"
2	B	3/16" x 1/8"	
2	C	1/8" x 0.086"	
2	D	1/4" x 5/32"	1/4"
2	E	3/16" x 1/8"	
2	F	1/8" x 0.086"	
3	A	3/8" x 1/4"	1/4"
3	B	1/4" x 5/32"	
3	C	3/8" x 1/4"	
3	D	1/4" x 5/32"	3/8"
4	A	1/2" x 3/8"	3/8"
4	B	3/8" x 1/4"	
4	C	1/2" x 3/8"	
4	D	3/8" x 1/4"	1/2"
5	A	3/4" x 5/8"	1/2"
5	B	1/2" x 3/8"	
5	C	3/4" x 5/8"	
5	D	1/2" x 3/8"	3/4"



Note) For each body class, the second and later numbers or symbols indicate reducing.

## How to Order

### Tubing connection

**LQ2 E 21**

#### Fitting type

Symbol	Type
E	Union elbow
T	Union tee
P	Panel mount union
U	Union

#### Combination of different diameter (on B side)

Class	No.	Applicable tubing size (mm)
2	1	6 x 4
2	2	4 x 3
3	1	10 x 8
3	2	8 x 6
3	3	6 x 4
4	1	12 x 10
4	2	10 x 8
5	1	19 x 16
5	2	12 x 10

Class	No.	Applicable tubing size (inch)
2	A	1/4" x 5/32"
2	B	3/16" x 1/8"
2	C	1/8" x 0.086"
3	A	3/8" x 1/4"
3	B	1/4" x 5/32"
4	A	1/2" x 3/8"
4	B	3/8" x 1/4"
5	A	3/4" x 5/8"
5	B	1/2" x 3/8"

Note) For each body class, the second and later numbers or symbols indicate reducing.

Symbol	Application
Nil	Same tubing size
Refer to the applicable tubing table.	Different diameter tubing can be selected within the same body class.
Union elbow LQ2E	Union tee LQ2T
Panel mount union LQ2P	Union LQ2U

#### Size combination

Class	No.	Applicable tubing size (mm)
2	1	6 x 4
2	2	4 x 3
3	1	10 x 8
3	2	8 x 6
3	3	6 x 4
4	1	12 x 10
4	2	10 x 8
5	1	19 x 16
5	2	12 x 10

Class	No.	Applicable tubing size (inch)
2	A	1/4" x 5/32"
2	B	3/16" x 1/8"
2	C	1/8" x 0.086"
3	A	3/8" x 1/4"
3	B	1/4" x 5/32"
4	A	1/2" x 3/8"
4	B	3/8" x 1/4"
5	A	3/4" x 5/8"
5	B	1/2" x 3/8"

Note) For each body class, the second and later numbers or symbols indicate reducing.

### Different diameter tubing order example

Different diameter tubing (with plug-in reducer) can be selected within the same body class.

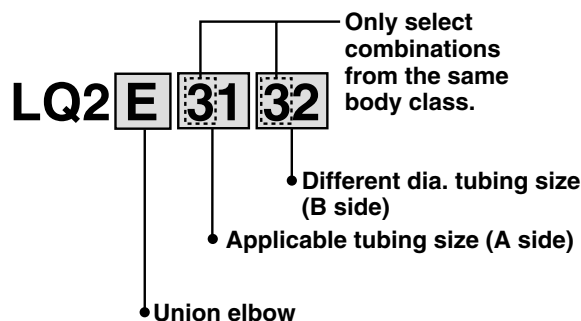
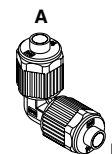
(Example) Union elbow

Body class 3

A side:  $\varnothing 10 \times \varnothing 8$

B side:  $\varnothing 8 \times \varnothing 6$

Order as shown below.



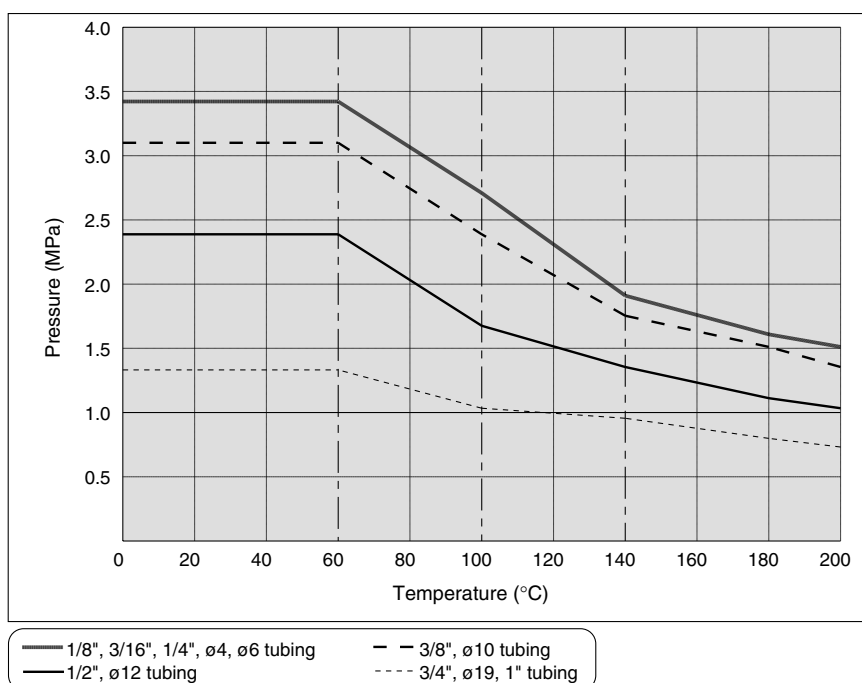
# Series LQ2



## Specifications

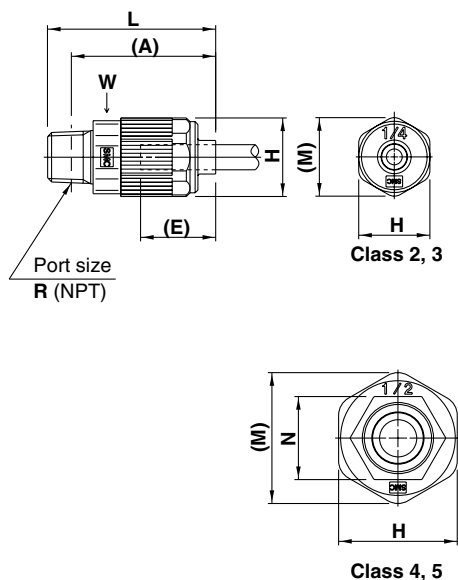
Feature	Model	LQ2□20	LQ2□30	LQ2□40	LQ2□50
Material		NEW PFA			
Maximum operating pressure (at 20°C)		1.0 MPa			
Proof pressure		Refer to the withstand pressure and heat resistance performance curves.			
Operating temperature		0 to 200°C			

## Burst Pressure and Heat Resistance Performance



**Dimensions**

**Male Connector: LQ2H-M**



**Metric sizes**

Model	Applicable tubing O.D.	Connection threads R/NPT	A	E	H	L	M	N	W
LQ2H21-M□	ø6	1/8"	39	19	18	42.5	19.9	-	16
LQ2H22-M□	ø4								
LQ2H23-M□	ø6	1/4"	36.5	22	24	49	26.2	-	24
LQ2H24-M□	ø4								
LQ2H31-M□	ø10	1/4"	43	28	30	59	33.1	21	30
LQ2H32-M□	ø8								
LQ2H33-M□	ø6	3/8"	42.5	32	36	68	40	26	36
LQ2H34-M□	ø10								
LQ2H35-M□	ø8	1/2"	51	28	30	59	33.1	21	30
LQ2H36-M□	ø6								
LQ2H41-M□	ø12	1/2"	60.5	32	36	68	40	26	36
LQ2H42-M□	ø10								
LQ2H43-M□	ø12	3/4"	58.5	32	36	68	40	26	36
LQ2H44-M□	ø10								
LQ2H51-M□	ø19	1/2"	59.5	32	36	67	40	26	36
LQ2H52-M□	ø12								
LQ2H53-M□	ø19	3/4"	57.5	32	36	67	40	26	36
LQ2H54-M□	ø12								

(A) shows the reference dimension after connection.  
 (E) shows the approximate dimension of the inserted tubing from the end of the nut.  
 "W" is width across flats dimension.

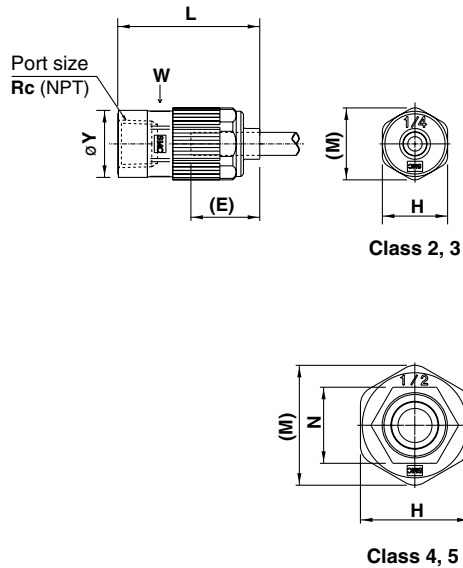
**Inch sizes**

Model	Applicable tubing O.D.	Connection threads NPT	A	E	H	L	M	N	W
LQ2H2A-M□	1/4"	1/8"	39	19	18	42.5	19.9	-	16
LQ2H2B-M□	3/16"								
LQ2H2C-M□	1/8"	1/4"	36.5	22	24	49	26.2	-	24
LQ2H2D-M□	1/4"								
LQ2H2E-M□	3/16"	3/8"	42.5	28	30	59	33.1	21	30
LQ2H2F-M□	1/8"								
LQ2H3A-M□	3/8"	1/4"	43	32	36	68	40	26	36
LQ2H3B-M□	1/4"								
LQ2H3C-M□	3/8"	3/8"	42	32	36	67	40	26	36
LQ2H3D-M□	1/4"								
LQ2H4A-M□	1/2"	3/8"	53	28	30	59	33.1	21	30
LQ2H4B-M□	3/8"								
LQ2H4C-M□	1/2"	1/2"	51	32	36	59	40	26	36
LQ2H4D-M□	3/8"								
LQ2H5A-M□	3/4"	1/2"	60.5	32	36	68	40	26	36
LQ2H5B-M□	1/2"								
LQ2H5C-M□	3/4"	3/4"	58.5	32	36	68	40	26	36
LQ2H5D-M□	1/2"								

# Series LQ2

## Dimensions

### Female Connector: LQ2H-F



(E) shows the approximate dimension of the inserted tubing from the end of the nut.  
 "W" is width across flats dimension.

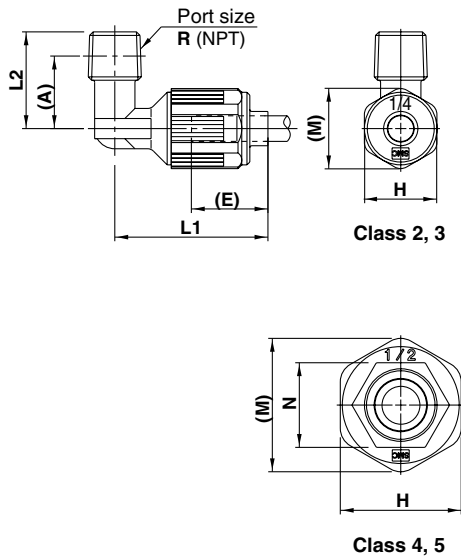
### Metric sizes

Model	Applicable tubing O.D.	Connection threads Rc/NPT	E	H	L	M	N	W	Y
LQ2H21-F□	ø6	1/8"	19	18	39.2	19.9	-	16	18.5
LQ2H22-F□	ø4								21.5
LQ2H23-F□	ø6	1/4"	22	24	44.2	26.2	-	24	21.5
LQ2H24-F□	ø4								25
LQ2H31-F□	ø10	1/4"	28	30	52	33.1	21	30	25
LQ2H32-F□	ø8								29.5
LQ2H33-F□	ø6	3/8"	32	36	51	40	26	36	25
LQ2H34-F□	ø10								29.5
LQ2H35-F□	ø8	1/2"	32	36	57	40	26	36	29.5
LQ2H36-F□	ø6								36
LQ2H41-F□	ø12	1/2"	32	36	63.5	40	26	36	29.5
LQ2H42-F□	ø10								36
LQ2H43-F□	ø12	3/4"	32	36	64.5	40	26	36	36
LQ2H44-F□	ø10								36
LQ2H51-F□	ø19	1/2"	32	36	65	40	26	36	29.5
LQ2H52-F□	ø12								36
LQ2H53-F□	ø19	3/4"	32	36	66	40	26	36	36
LQ2H54-F□	ø12								36

### Inch sizes

Model	Applicable tubing O.D.	Connection threads Rc/NPT	E	H	L	M	N	W	Y
LQ2H2A-F□	1/4"	1/8"	19	18	39.2	19.9	-	16	18.5
LQ2H2B-F□	3/16"								21.5
LQ2H2C-F□	1/8"	1/4"	22	24	44.2	26.2	-	24	21.5
LQ2H2D-F□	1/4"								25
LQ2H2E-F□	3/16"	3/8"	28	30	52	33.1	21	30	25
LQ2H2F-F□	1/8"								29.5
LQ2H3A-F□	3/8"	1/4"	32	36	51	40	26	36	29.5
LQ2H3B-F□	1/4"								36
LQ2H3C-F□	3/8"	1/2"	32	36	57	40	26	36	36
LQ2H3D-F□	1/4"								36
LQ2H4A-F□	1/2"	1/2"	32	36	63.5	40	26	36	29.5
LQ2H4B-F□	3/8"								36
LQ2H4C-F□	1/2"	3/4"	32	36	64.5	40	26	36	36
LQ2H4D-F□	3/8"								36
LQ2H5A-F□	3/4"	1/2"	32	36	65	40	26	36	29.5
LQ2H5B-F□	1/2"								36
LQ2H5C-F□	3/4"	3/4"	32	36	66	40	26	36	36
LQ2H5D-F□	1/2"								36

**Male Elbow: LQ2L-M**



**Metric sizes**

Model	Applicable tubing O.D.	Connection threads R/NPT	A	E	H	L1	L2	M	N
LQ2L21-M□	ø6	1/8"	20.5	19	18	38	24	19.9	-
LQ2L22-M□	ø4								
LQ2L23-M□	ø6								
LQ2L24-M□	ø4								
LQ2L31-M□	ø10	1/4"	22	22	24	43	28	26.2	-
LQ2L32-M□	ø8								
LQ2L33-M□	ø6								
LQ2L34-M□	ø10	3/8"	21.5	28	30	43	35	33.1	21
LQ2L35-M□	ø8								
LQ2L36-M□	ø6	1/2"	27	28	30	52	35	40	26
LQ2L41-M□	ø12								
LQ2L42-M□	ø10								
LQ2L43-M□	ø12								
LQ2L44-M□	ø10	3/8"	29	32	36	51	43	40	26
LQ2L51-M□	ø12								
LQ2L52-M□	ø19								
LQ2L53-M□	ø19	3/4"	33.5	32	36	59	43	40	26
LQ2L54-M□	ø12								

**Inch sizes**

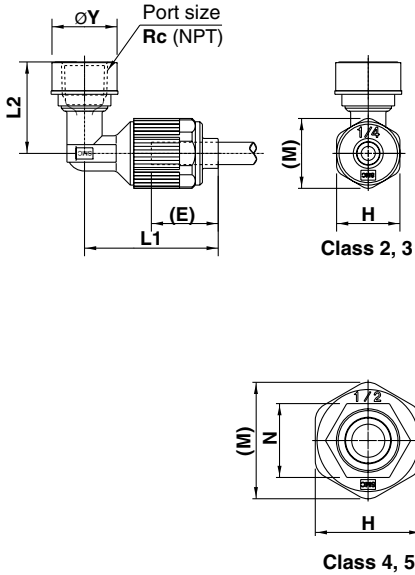
Model	Applicable tubing O.D.	Connection threads R/NPT	A	E	H	L1	L2	M	N
LQ2L2A-M□	1/4"	1/8"	20.5	19	18	38	24	19.9	-
LQ2L2B-M□	3/16"								
LQ2L2C-M□	1/8"								
LQ2L2D-M□	1/4"								
LQ2L2E-M□	3/16"	1/4"	18	22	24	43	28	26.2	-
LQ2L2F-M□	1/8"								
LQ2L3A-M□	3/8"	1/4"	22	22	24	43	28	26.2	-
LQ2L3B-M□	1/4"								
LQ2L3C-M□	3/8"								
LQ2L3D-M□	1/4"	3/8"	21.5	28	30	42.5	35	33.1	21
LQ2L4A-M□	1/2"								
LQ2L4B-M□	3/8"	1/2"	27	28	30	51	35	40	26
LQ2L4C-M□	1/2"								
LQ2L4D-M□	3/8"	3/4"	33.5	32	36	51	43	40	26
LQ2L5A-M□	3/4"								
LQ2L5B-M□	1/2"								
LQ2L5C-M□	3/4"	3/4"	33.5	32	36	59	43	40	26
LQ2L5D-M□	1/2"								

(A) shows the reference dimension after connection.  
 (E) shows the approximate dimension of the inserted tubing from the end of the nut.

# Series LQ2

## Dimensions

### Female Elbow: LQ2L-F



(E) shows the approximate dimension of the inserted tubing from the end of the nut.

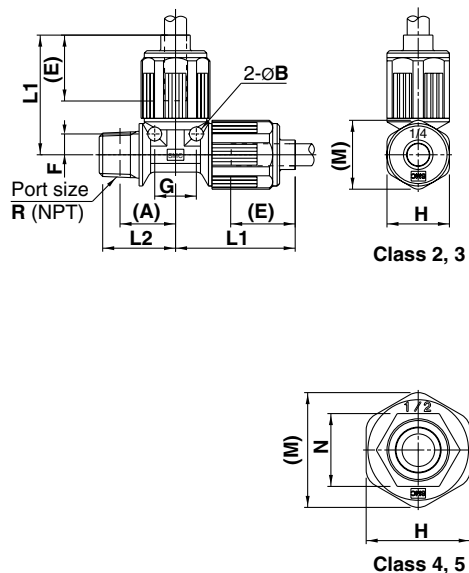
### Metric sizes

Model	Applicable tubing O.D.	Connection threads Rc/NPT	E	H	L <sub>1</sub>	L <sub>2</sub>	M	N	Y				
LQ2L21-F□	ø6	1/8"	19	18	38	24	19.9	—	ø18.5				
LQ2L22-F□	ø4					26				ø21.5			
LQ2L23-F□	ø6	1/4"				22			24		43	26.2	—
LQ2L24-F□	ø4									42.5			
LQ2L31-F□	ø10	1/4"	22	24	28	43	26.2	—	ø25				
LQ2L32-F□	ø8					42.5							
LQ2L33-F□	ø6	3/8"				22			24	43	26.2	—	ø25
LQ2L34-F□	ø10									42.5			
LQ2L35-F□	ø8	3/8"	28	30	28	52	33.1	21	ø25				
LQ2L36-F□	ø6					50.5							
LQ2L41-F□	ø12	1/2"				28			30	51	33.1	21	ø29.5
LQ2L42-F□	ø10									52			
LQ2L43-F□	ø12	1/2"	32	36	43	51	40	26	ø29.5				
LQ2L44-F□	ø10					59							
LQ2L51-F□	ø19	1/2"				32			36	58	40	26	ø36
LQ2L52-F□	ø12									59			
LQ2L53-F□	ø19	3/4"	32	36	43	59	40	26	ø36				
LQ2L54-F□	ø12					58							

### Inch sizes

Model	Applicable tubing O.D.	Connection threads Rc/NPT	E	H	L <sub>1</sub>	L <sub>2</sub>	M	N	Y					
LQ2L2A-F□	1/4"	1/8"	19	18	38	24	19.9	—	ø18.5					
LQ2L2B-F□	3/16"					26				ø21.5				
LQ2L2C-F□	1/8"	1/4"				22			24		43	26.2	—	ø21.5
LQ2L2D-F□	1/4"									42.5				
LQ2L2E-F□	3/16"	1/4"	22	24	28	43	26.2	—	ø25					
LQ2L2F-F□	1/8"					42.5								
LQ2L3A-F□	3/8"	1/4"				22			24	28	52	33.1	21	ø25
LQ2L3B-F□	1/4"										51			
LQ2L3C-F□	3/8"	3/8"	22	24	52		33.1	21			ø29.5			
LQ2L3D-F□	1/4"				51									
LQ2L4A-F□	1/2"	3/8"	28	30	43	59	40	26	ø29.5					
LQ2L4B-F□	3/8"					58								
LQ2L4C-F□	1/2"	1/2"				28			30	43	59	40	26	ø36
LQ2L4D-F□	3/8"										58			
LQ2L5A-F□	3/4"	1/2"	32	36	43	59	40	26	ø29.5					
LQ2L5B-F□	1/2"					58								
LQ2L5C-F□	3/4"	3/4"				32			36	43	59	40	26	ø36
LQ2L5D-F□	1/2"										58			

**Male Run Tee: LQ2R-M**



**Metric sizes**

Model	Applicable tubing O.D.	Connection threads R/NPT	A	B	E	F	G	H	L1	L2	M	N
LQ2R21-M□	Ø6	1/8"	18.5	Ø4	19	6	12	18	34.5	22	19.9	—
LQ2R22-M□	Ø4											
LQ2R23-M□	Ø6	1/4"	16.5	Ø4	19	6	12	18	34.5	22	19.9	—
LQ2R24-M□	Ø4											
LQ2R31-M□	Ø10	1/4"	23.5	Ø5	22	9	18	24	43	29.5	26.2	—
LQ2R32-M□	Ø8								42.5			
LQ2R33-M□	Ø6	3/8"	23	Ø5	22	9	18	24	43	29.5	26.2	—
LQ2R34-M□	Ø10								42.5			
LQ2R35-M□	Ø8	3/8"	23	Ø5	22	9	18	24	42.5	29.5	26.2	—
LQ2R36-M□	Ø6								43			
LQ2R41-M□	Ø12	3/8"	30	Ø6	28	11	22	30	52	36	33.1	21
LQ2R42-M□	Ø10								51			
LQ2R43-M□	Ø12	1/2"	28.5	Ø6	28	11	22	30	52	36	33.1	21
LQ2R44-M□	Ø10								51			
LQ2R51-M□	Ø19	1/2"	35	Ø7	32	14	28	36	59.5	42.5	40	26
LQ2R52-M□	Ø12								58.5			
LQ2R53-M□	Ø19	3/4"	33.5	Ø7	32	14	28	36	59.5	42.5	40	26
LQ2R54-M□	Ø12								58.5			

(A) shows the reference dimension after connection.  
 (E) shows the approximate dimension of the inserted tubing from the end of the nut.

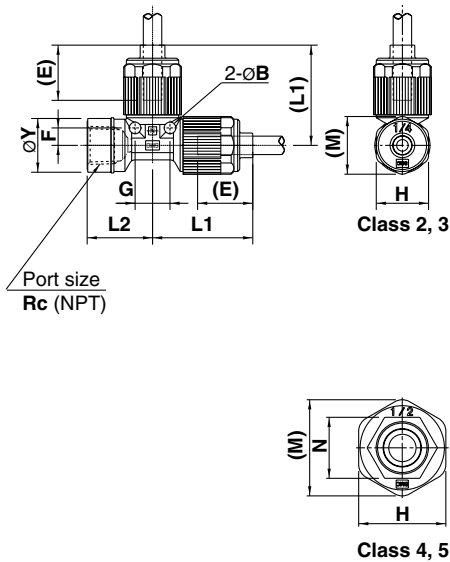
**Inch sizes**

Model	Applicable tubing O.D.	Connection threads R/NPT	A	B	E	F	G	H	L1	L2	M	N
LQ2R2A-M□	1/4"	1/8"	18.5	Ø4	19	6	12	18	34.5	22	19.9	—
LQ2R2B-M□	3/16"											
LQ2R2C-M□	1/8"	1/4"	16.5	Ø4	19	6	12	18	34.5	22	19.9	—
LQ2R2D-M□	1/4"											
LQ2R2E-M□	3/16"	1/4"	16.5	Ø4	19	6	12	18	34.5	22	19.9	—
LQ2R2F-M□	1/8"											
LQ2R3A-M□	3/8"	1/4"	23.5	Ø5	22	9	18	24	43	29.5	26.2	—
LQ2R3B-M□	1/4"								42.5			
LQ2R3C-M□	3/8"	3/8"	23	Ø5	22	9	18	24	43	29.5	26.2	—
LQ2R3D-M□	1/4"								42.5			
LQ2R4A-M□	1/2"	3/8"	30	Ø6	28	11	22	30	52	36	33.1	21
LQ2R4B-M□	3/8"								51			
LQ2R4C-M□	1/2"	1/2"	28.5	Ø6	28	11	22	30	52	36	33.1	21
LQ2R4D-M□	3/8"								51			
LQ2R5A-M□	3/4"	1/2"	35	Ø7	32	14	28	36	59.5	42.5	40	26
LQ2R5B-M□	1/2"								58.5			
LQ2R5C-M□	3/4"	3/4"	33.5	Ø7	32	14	28	36	59.5	42.5	40	26
LQ2R5D-M□	1/2"								58.5			

# Series LQ2

## Dimensions

### Female Run Tee: LQ2R-F



### Metric sizes

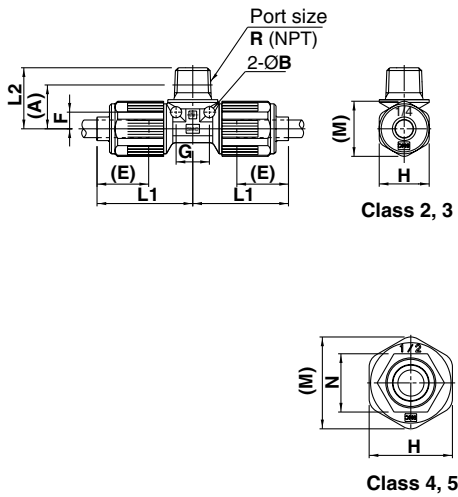
Model	Applicable tubing O.D.	Connection threads Rc/NPT	B	E	F	G	H	L1	L2	M	N	Y
LQ2R21-F□	ø6	1/8"	ø4	19	6	12	18	34.5	18.7	19.9	—	ø18.5
LQ2R22-F□	ø4								22.5			ø21.5
LQ2R23-F□	ø6	1/4"	ø4	19	6	12	18	34.5	23.5	19.9	—	ø21.5
LQ2R24-F□	ø4								26.2			ø21.5
LQ2R31-F□	ø10	1/4"	ø5	22	9	18	24	43	26.2	26.2	—	ø21.5
LQ2R32-F□	ø8							42.5				ø21.5
LQ2R33-F□	ø6	3/8"	ø5	22	9	18	24	43	26	26.2	—	ø25
LQ2R34-F□	ø10							42.5				ø25
LQ2R35-F□	ø8	3/8"	ø5	22	9	18	24	43	26	26.2	—	ø25
LQ2R36-F□	ø6							42.5				ø25
LQ2R41-F□	ø12	3/8"	ø6	28	11	22	30	52	27	33.1	21	ø25
LQ2R42-F□	ø10							51				ø25
LQ2R43-F□	ø12	1/2"	ø6	28	11	22	30	52	32	33.1	21	ø29.5
LQ2R44-F□	ø10							51				ø29.5
LQ2R51-F□	ø19	1/2"	ø7	32	14	28	36	59.5	35.5	40	26	ø29.5
LQ2R52-F□	ø12							58.5				ø29.5
LQ2R53-F□	ø19	3/4"	ø7	32	14	28	36	59.5	37	40	26	ø36
LQ2R54-F□	ø12							58.5				ø36

(E) shows the approximate dimension of the inserted tubing from the end of the nut.

### Inch sizes

Model	Applicable tubing O.D.	Connection threads Rc/NPT	B	E	F	G	H	L1	L2	M	N	Y
LQ2R2A-F□	1/4"	1/8"	ø4	19	6	12	18	34.5	18.7	19.9	—	ø18.5
LQ2R2B-F□	3/16"								22.5			ø21.5
LQ2R2C-F□	1/8"	1/4"	ø4	19	6	12	18	34.5	23.5	19.9	—	ø21.5
LQ2R2D-F□	1/4"								26.2			ø21.5
LQ2R2E-F□	3/16"	1/4"	ø4	19	6	12	18	34.5	23.5	19.9	—	ø21.5
LQ2R2F-F□	1/8"								26.2			ø21.5
LQ2R3A-F□	3/8"	1/4"	ø5	22	9	18	24	43	26.2	26.2	—	ø21.5
LQ2R3B-F□	1/4"							42.5				ø21.5
LQ2R3C-F□	3/8"	3/8"	ø5	22	9	18	24	43	26	26.2	—	ø25
LQ2R3D-F□	1/4"							42.5				ø25
LQ2R4A-F□	1/2"	3/8"	ø6	28	11	22	30	52	27	33.1	21	ø25
LQ2R4B-F□	3/8"							51				ø25
LQ2R4C-F□	1/2"	1/2"	ø6	28	11	22	30	51	32	33.1	21	ø29.5
LQ2R4D-F□	3/8"							51				ø29.5
LQ2R5A-F□	3/4"	1/2"	ø7	32	14	28	36	59.5	35.5	40	26	ø29.5
LQ2R5B-F□	1/2"							58.5				ø29.5
LQ2R5C-F□	3/4"	3/4"	ø7	32	14	28	36	59.5	37	40	26	ø36
LQ2R5D-F□	1/2"							58.5				ø36

**Male Branch Tee: LQ2B-M**



**Metric sizes**

Model	Applicable tubing O.D.	Connection threads R/NPT	A	B	E	F	G	H	L1	L2	M	N
LQ2B21-M□	ø6	1/8"	18.5	ø4	19	6	12	18	34.5	22	19.9	—
LQ2B22-M□	ø4											
LQ2B23-M□	ø6	1/4"	16.5	ø4	19	6	12	18	34.5	22	19.9	—
LQ2B24-M□	ø4											
LQ2B31-M□	ø10	1/4"	23.5	ø5	22	9	18	24	43	29.5	26.2	—
LQ2B32-M□	ø8								42.5			
LQ2B33-M□	ø6								43			
LQ2B34-M□	ø10	3/8"	23	ø5	22	9	18	24	43	29.5	26.2	—
LQ2B35-M□	ø8								42.5			
LQ2B36-M□	ø6	3/8"	30	ø6	28	11	22	30	52	36	33.1	21
LQ2B41-M□	ø12								51			
LQ2B42-M□	ø10								52			
LQ2B43-M□	ø12								51			
LQ2B44-M□	ø10	1/2"	28.5	ø6	28	11	22	30	51	36	33.1	21
LQ2B51-M□	ø19								59.5			
LQ2B52-M□	ø12	1/2"	35	ø7	32	14	28	36	58.5	42.5	40	26
LQ2B53-M□	ø19								59.5			
LQ2B54-M□	ø12								58.5			

(A) shows the reference dimension after connection.  
 (E) shows the approximate dimension of the inserted tubing from the end of the nut.

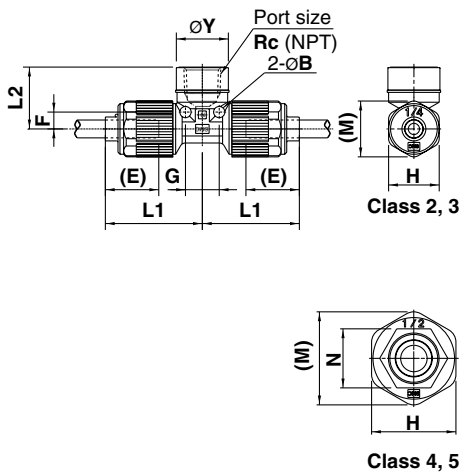
**Inch sizes**

Model	Applicable tubing O.D.	Connection threads R/NPT	A	B	E	F	G	H	L1	L2	M	N
LQ2B2A-M□	1/4"	1/8"	18.5	ø4	19	6	12	18	34.5	22	19.9	—
LQ2B2B-M□	3/16"											
LQ2B2C-M□	1/8"											
LQ2B2D-M□	1/4"	1/4"	16.5	ø4	19	6	12	18	34.5	22	19.9	—
LQ2B2E-M□	3/16"											
LQ2B2F-M□	1/8"	1/4"	23.5	ø5	22	9	18	24	43	29.5	26.2	—
LQ2B3A-M□	3/8"								42.5			
LQ2B3B-M□	1/4"								43			
LQ2B3C-M□	3/8"								42.5			
LQ2B3D-M□	1/4"	3/8"	23	ø5	22	9	18	24	43	29.5	26.2	—
LQ2B4A-M□	1/2"								52			
LQ2B4B-M□	3/8"	3/8"	30	ø6	28	11	22	30	51	36	33.1	21
LQ2B4C-M□	1/2"								52			
LQ2B4D-M□	3/8"	1/2"	28.5	ø6	28	11	22	30	51	36	33.1	21
LQ2B5A-M□	3/4"								59.5			
LQ2B5B-M□	1/2"	1/2"	35	ø7	32	14	28	36	58.5	42.5	40	26
LQ2B5C-M□	3/4"								59.5			
LQ2B5D-M□	1/2"								58.5			

# Series LQ2

## Dimensions

### Female Branch Tee: LQ2B-F



### Metric sizes

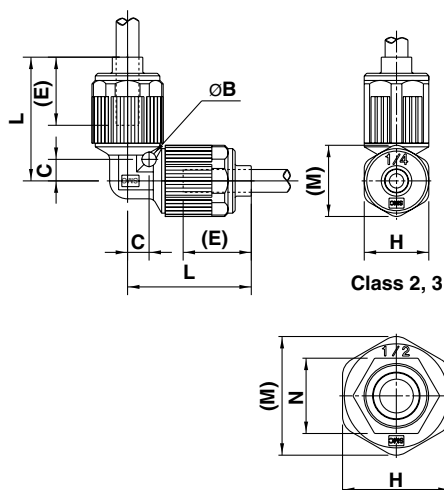
Model	Applicable tubing O.D.	Connection threads Rc/NPT	B	E	F	G	H	L1	L2	M	N	Y
LQ2B21-F□	Ø6	1/8"	Ø4	19	6	12	18	34.5	18.7	19.9	—	Ø18.5
LQ2B22-F□	Ø4								22			Ø21.5
LQ2B23-F□	Ø6	1/4"	Ø4	19	6	12	18	34.5	22	19.9	—	Ø21.5
LQ2B24-F□	Ø4											
LQ2B31-F□	Ø10	1/4"	Ø5	22	9	18	24	43	22.2	26.2	—	Ø21.5
LQ2B32-F□	Ø8							47.5				
LQ2B33-F□	Ø6	3/8"	Ø5	22	9	18	24	43	24	26.2	—	Ø25
LQ2B34-F□	Ø10							42.5				
LQ2B35-F□	Ø8	3/8"	Ø5	22	9	18	24	52	27	33.1	21	Ø25
LQ2B36-F□	Ø6							51				
LQ2B41-F□	Ø12	3/8"	Ø6	28	11	22	30	52	32	33.1	21	Ø29.5
LQ2B42-F□	Ø10							51				
LQ2B43-F□	Ø12	1/2"	Ø6	28	11	22	30	52	32	33.1	21	Ø29.5
LQ2B44-F□	Ø10							51				
LQ2B51-F□	Ø19	1/2"	Ø7	32	14	28	36	59.5	35.5	40	26	Ø29.5
LQ2B52-F□	Ø12							58.5				
LQ2B53-F□	Ø19	3/4"	Ø7	32	14	28	36	59.5	37	40	26	Ø36
LQ2B54-F□	Ø12							58.5				

(E) shows the approximate dimension of the inserted tubing from the end of the nut.

### Inch sizes

Model	Applicable tubing O.D.	Connection threads Rc/NPT	B	E	F	G	H	L1	L2	M	N	Y
LQ2B2A-F□	1/4"	1/8"	Ø4	19	6	12	18	34.5	18.7	19.9	—	Ø18.5
LQ2B2B-F□	3/16"								22			
LQ2B2C-F□	1/8"	1/4"	Ø4	19	6	12	18	34.5	22	19.9	—	Ø21.5
LQ2B2D-F□	1/4"											
LQ2B2E-F□	3/16"	1/4"	Ø4	19	6	12	18	34.5	22	19.9	—	Ø21.5
LQ2B2F-F□	1/8"											
LQ2B3A-F□	3/8"	1/4"	Ø5	22	9	18	24	43	22.2	26.2	—	Ø21.5
LQ2B3B-F□	1/4"							42.5				
LQ2B3C-F□	3/8"	3/8"	Ø5	22	9	18	24	43	24	26.2	—	Ø25
LQ2B3D-F□	1/4"							42.5				
LQ2B4A-F□	1/2"	3/8"	Ø6	28	11	22	30	52	27	33.1	21	Ø25
LQ2B4B-F□	3/8"							51				
LQ2B4C-F□	1/2"	1/2"	Ø6	28	11	22	30	52	32	33.1	21	Ø29.5
LQ2B4D-F□	3/8"							51				
LQ2B5A-F□	3/4"	1/2"	Ø7	32	14	28	36	59.5	35.5	40	26	Ø29.5
LQ2B5B-F□	1/2"							58.5				
LQ2B5C-F□	3/4"	3/4"	Ø7	32	14	28	36	59.5	37	40	26	Ø36
LQ2B5D-F□	1/2"							58.5				

**Union Elbow: LQ2E**



(E) shows the approximate dimension of the inserted tubing from the end of the nut.

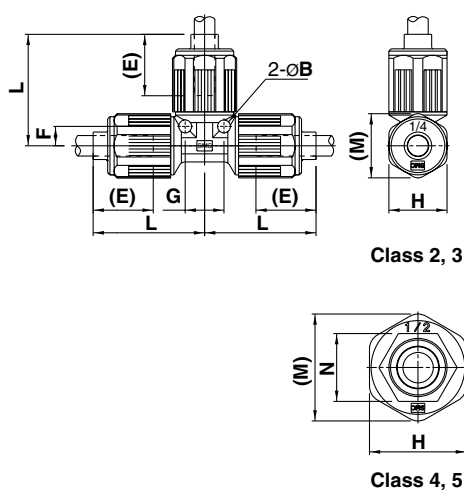
**Metric sizes**

Model	Applicable tubing O.D.	B	C	E	H	L	M	N
LQ2E21□□	ø6	ø4	6	19	18	34.5	19.9	—
LQ2E22□□	ø4							
LQ2E31□□	ø10	ø5	9	22	24	43	26.2	—
LQ2E32□□	ø8							
LQ2E33□□	ø6					42.5		
LQ2E41□□	ø12	ø6	11	28	30	52	33.1	21
LQ2E42□□	ø10					51		
LQ2E51□□	ø19	ø7	14	32	36	59.5	40	26
LQ2E52□□	ø12					58.5		

**Inch sizes**

Model	Applicable tubing O.D.	B	C	E	H	L	M	N
LQ2E2A□□	1/4"	ø4	6	19	18	34.5	19.9	—
LQ2E2B□□	3/16"							
LQ2E2C□□	1/8"							
LQ2E3A□□	3/8"	ø5	9	22	24	43	26.2	—
LQ2E3B□□	1/4"					42.5		
LQ2E4A□□	1/2"	ø6	11	28	30	52	33.1	21
LQ2E4B□□	3/8"					51		
LQ2E5A□□	3/4"	ø7	14	32	36	59.5	40	26
LQ2E5B□□	1/2"					58.5		

**Union Tee: LQ2T**



(E) shows the approximate dimension of the inserted tubing from the end of the nut.

**Metric sizes**

Model	Applicable tubing O.D.	B	E	F	G	H	L	M	N
LQ2T21□□	ø6	ø4	19	6	12	18	34.5	19.9	—
LQ2T22□□	ø4								
LQ2T31□□	ø10	ø5	22	9	18	24	43	26.2	—
LQ2T32□□	ø8								
LQ2T33□□	ø6						42.5		
LQ2T41□□	ø12	ø6	28	11	22	30	52	33.1	21
LQ2T42□□	ø10						51		
LQ2T51□□	ø19	ø7	32	14	28	36	59.5	40	26
LQ2T52□□	ø12						58.5		

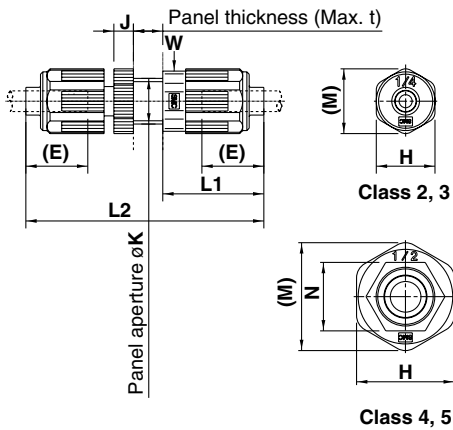
**Inch sizes**

Model	Applicable tubing O.D.	B	E	F	G	H	L	M	N
LQ2T2A□□	1/4"	ø4	19	6	12	18	34.5	19.9	—
LQ2T2B□□	3/16"								
LQ2T2C□□	1/8"								
LQ2T3A□□	3/8"	ø5	22	9	18	24	43	26.2	—
LQ2T3B□□	1/4"						42.5		
LQ2T4A□□	1/2"	ø6	28	11	22	30	52	33.1	21
LQ2T4B□□	3/8"						51		
LQ2T5A□□	3/4"	ø7	32	14	28	36	59.5	40	26
LQ2T5B□□	1/2"						58.5		

# Series LQ2

## Dimensions

### Panel Mount Union: LQ2P



(E) shows the approximate dimension of the inserted tubing from the end of the nut.  
"W" is width across flats dimension.

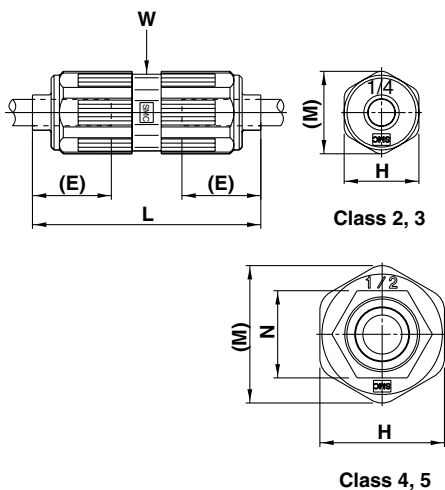
### Metric sizes

Model	Applicable tubing O.D.	E	H	J	K	L1	L2	M	N	t	W
LQ2P21□□	ø6	19	18	6	ø14.5	31	73	19.9	-	7	16
LQ2P22□□	ø4										
LQ2P31□□	ø10										
LQ2P32□□	ø8	22	24	6	ø20.5	36	83	26.2	-	7	24
LQ2P33□□	ø6					34.5	82				
LQ2P41□□	ø12	28	30	9	ø24.5	42	95	33.1	21	7	30
LQ2P42□□	ø10					40	93				
LQ2P51□□	ø19					49	110				
LQ2P52□□	ø12	32	36	9	ø30.5	47	108	40	26	10	36

### Inch sizes

Model	Applicable tubing O.D.	E	H	J	K	L1	L2	M	N	t	W
LQ2P2A□□	1/4"	19	18	6	ø14.5	31	73	19.9	-	7	16
LQ2P2B□□	3/16"										
LQ2P2C□□	1/8"										
LQ2P3A□□	3/8"	22	24	6	ø20.5	36	83	26.2	-	7	24
LQ2P3B□□	1/4"					34.5	82				
LQ2P4A□□	1/2"	28	30	9	ø24.5	42	95	33.1	21	7	30
LQ2P4B□□	3/8"					40	93				
LQ2P5A□□	3/4"					49	110				
LQ2P5B□□	1/2"	32	36	9	ø30.5	47	108	40	26	10	36

### Union: LQ2U



(E) shows the approximate dimension of the inserted tubing from the end of the nut.  
"W" is width across flats dimension.

### Metric sizes

Model	Applicable tubing O.D.	E	H	L	M	N	W
LQ2U21□□	ø6	19	18	55	19.9	-	16
LQ2U22□□	ø4						
LQ2U31□□	ø10						
LQ2U32□□	ø8	22	24	65	26.2	-	24
LQ2U33□□	ø6			64			
LQ2U41□□	ø12	28	30	77	33.1	21	30
LQ2U42□□	ø10			75			
LQ2U51□□	ø19			88			
LQ2U52□□	ø12	32	36	86	40	26	36

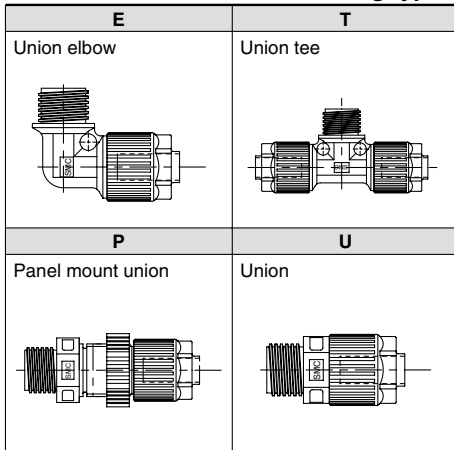
### Inch sizes

Model	Applicable tubing O.D.	E	H	L	M	N	W
LQ2U2A□□	1/4"	19	18	55	19.9	-	16
LQ2U2B□□	3/16"						
LQ2U2C□□	1/8"						
LQ2U3A□□	3/8"	22	24	65	26.2	-	24
LQ2U3B□□	1/4"			64			
LQ2U4A□□	1/2"	28	30	77	33.1	21	30
LQ2U4B□□	3/8"			75			
LQ2U5A□□	3/4"			88			
LQ2U5B□□	1/2"	32	36	86	40	26	36

## How to Order Space Saving Fittings

**LQ1 E 21 - S**

Fitting type



• One nut (including insert bushing) of the nuts is not attached.  
Please refer to below piping example.

• Combination of different diameter (on B side)

Class	No.	Applicable tubing size (mm)
1	1	4 x 3
1	2	3 x 2
2	1	6 x 4
2	2	4 x 3
3	1	10 x 8
3	2	8 x 6
3	3	6 x 4
4	1	12 x 10
4	2	10 x 8
5	1	19 x 16
5	2	12 x 10
6	1	25 x 22
6	2	19 x 16

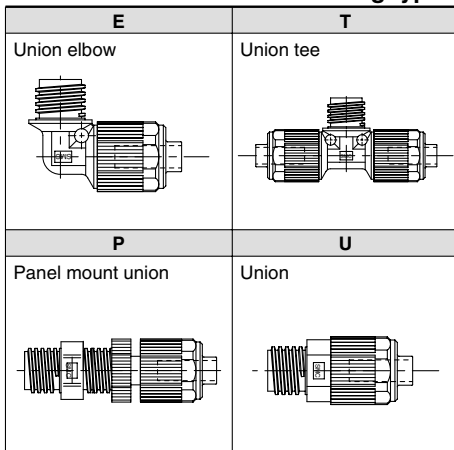
Class	No.	Applicable tubing size (mm)
1	A	1/8" x 0.086"
—	—	—
2	A	1/4" x 5/32"
2	B	3/16" x 1/8"
2	C	1/8" x 0.086"
3	A	3/8" x 1/4"
3	B	1/4" x 5/32"
4	A	1/2" x 3/8"
4	B	3/8" x 1/4"
5	A	3/4" x 5/8"
5	B	1/2" x 3/8"
6	A	1" x 7/8"
6	B	3/4" x 5/8"



Note) For each body class, the second and later numbers or symbols indicate reducing.  
However, in case of size 1, the tubing cannot be changed by reducing.

**LQ2 E 21 - S**

Fitting type



• One nut (including insert bushing) of the nuts is not attached.  
Please refer to below piping example.

⑤ Applicable tubing size

Class	No.	Applicable tubing size (mm)
2	1	6 x 4
2	2	4 x 3
3	1	10 x 8
3	2	8 x 6
3	3	6 x 4
4	1	12 x 10
4	2	10 x 8
5	1	19 x 16
5	2	12 x 10

Class	No.	Applicable tubing size (mm)
2	A	1/4" x 5/32"
2	B	3/16" x 1/8"
2	C	1/8" x 0.086"
3	A	3/8" x 1/4"
3	B	1/4" x 5/32"
4	A	1/2" x 3/8"
4	B	3/8" x 1/4"
5	A	3/4" x 5/8"
5	B	1/2" x 3/8"



Note) For each body class, the second and later numbers or symbols indicate reducing.

### Piping Example

