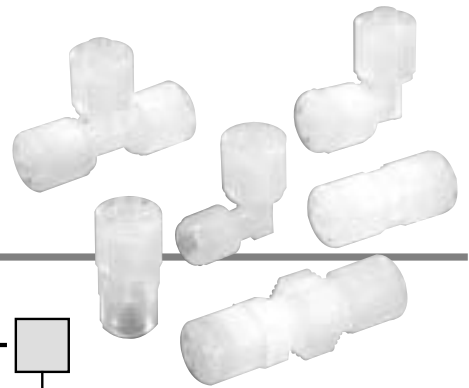


High Purity Fluoropolymer Fittings

HYPER FITTING®

Series LQ1



How to Order

Threaded connection

LQ1 H 11 [] - M [] - []

Fitting type

Symbol	Type
H	Connector
L	Elbow
B	Branch tee
R	Run tee

Thread type

Symbol	Type
Nil	R, Rc
N	NPT

Piping type

Symbol	Type
M	Male
F	Female

Packaging

Nil	Clean packaging equivalent to Class M3.5
1	Standard packaging equivalent to Class M5.5

For different diameter (on B side)

Symbol	Application
Nil	Same tubing size
Refer to the applicable tubing table.	Different diameter tubing can be selected within the same body class.
LQ1B	
Branch tee male	Branch tee female
LQ1R	
Run tee male	Run tee female



The table of combination is the same as that for A side.
 Note 1) Only branch tees and run tees can take different diameters.
 Note 2) Use of different diameters is not available with size 1.

Size combination

Class	No.	Applicable tubing size (mm)	Tubing O.D.
1	1	4 x 3	1/8"
1	2	3 x 2	
2	1	6 x 4	1/8"
2	2	4 x 3	
2	3	6 x 4	1/4"
2	4	4 x 3	
3	1	10 x 8	1/4"
3	2	8 x 6	
3	3	6 x 4	
3	4	10 x 8	3/8"
3	5	8 x 6	
3	6	6 x 4	
4	1	12 x 10	3/8"
4	2	10 x 8	
4	3	12 x 10	1/2"
4	4	10 x 8	
5	1	19 x 16	1/2"
5	2	12 x 10	
5	3	19 x 16	3/4"
5	4	12 x 10	
6	1	25 x 22	
6	2	19 x 16	
6	3	25 x 22	1"
6	4	19 x 16	

Class	No.	Applicable tubing size (inch)	Tubing O.D.	
1	A	1/8" x 0.086"	1/8"	
—	—	—	—	
2	A	1/4" x 5/32"	1/8"	
2	B	3/16" x 1/8"		
2	C	1/8" x 0.086"		
2	D	1/4" x 5/32"	1/4"	
2	E	3/16" x 1/8"		
2	F	1/8" x 0.086"		
3	A	3/8" x 1/4"	1/4"	
3	B	1/4" x 5/32"		
3	C	3/8" x 1/4"		
3	D	1/4" x 5/32"	3/8"	
4	A	1/2" x 3/8"		3/8"
4	B	3/8" x 1/4"		
4	C	1/2" x 3/8"		
4	D	3/8" x 1/4"	1/2"	
5	A	3/4" x 5/8"		1/2"
5	B	1/2" x 3/8"		
5	C	3/4" x 5/8"		
5	D	1/2" x 3/8"	3/4"	
6	A	1" x 7/8"		3/4"
6	B	3/4" x 5/8"		
6	C	1" x 7/8"		
6	D	3/4" x 5/8"	1"	



Note) For each body class, the second and later numbers or symbols indicate reducing. However, in case of size 1, the tubing cannot be changed by reducing.

How to Order

Tubing connection

LQ1 **E** **11** □ □

Fitting type

Symbol	Type
E	Union elbow
T	Union tee
P	Panel mount union
U	Union
F	Union flange

Combination of different diameter (on B side)

Class	No.	Applicable tubing size (mm)
1	1	4 x 3
1	2	3 x 2
2	1	6 x 4
2	2	4 x 3
3	1	10 x 8
3	2	8 x 6
3	3	6 x 4
4	1	12 x 10
4	2	10 x 8
5	1	19 x 16
5	2	12 x 10
6	1	25 x 22
6	2	19 x 16

Class	No.	Applicable tubing size (inch)
1	A	1/8" x 0.086"
—	—	—
2	A	1/4" x 5/32"
2	B	3/16" x 1/8"
2	C	1/8" x 0.086"
3	A	3/8" x 1/4"
3	B	1/4" x 5/32"
4	A	1/2" x 3/8"
4	B	3/8" x 1/4"
5	A	3/4" x 5/8"
5	B	1/2" x 3/8"
6	A	1" x 7/8"
6	B	3/4" x 5/8"



Note) For each body class, the second and later numbers or symbols indicate reducing. However, in case of size 1, the tubing cannot be changed by reducing.

Size combination

Class	No.	Applicable tubing size (mm)
1	1	4 x 3
1	2	3 x 2
2	1	6 x 4
2	2	4 x 3
3	1	10 x 8
3	2	8 x 6
3	3	6 x 4
4	1	12 x 10
4	2	10 x 8
5	1	19 x 16
5	2	12 x 10
6	1	25 x 22
6	2	19 x 16

Class	No.	Applicable tubing size (inch)	Applicable flange
1	A	1/8" x 0.086"	—
—	—	—	—
2	A	1/4" x 5/32"	—
2	B	3/16" x 1/8"	—
2	C	1/8" x 0.086"	—
3	A	3/8" x 1/4"	—
3	B	1/4" x 5/32"	—
4	A	1/2" x 3/8"	15 A
4	B	3/8" x 1/4"	15 A
5	A	3/4" x 5/8"	20 A
5	B	1/2" x 3/8"	20 A
6	A	1" x 7/8"	25 A
6	B	3/4" x 5/8"	25 A

Symbol	Application
Nil	Same tubing size
Refer to the applicable tubing table.	Different diameter tubing can be selected within the same body class.
Union elbow LQ1E	Union tee LQ1T
Panel mount union LQ1P	Union LQ1U



Note 1) For each body class, the second and later numbers or symbols indicate reducing. However, in case of size 1, the tubing cannot be changed by reducing.

Note 2) Sizes 1 to 3 are not available for the union flange

Note 3) For Union flange, nut sizes 4 and 5 are as shown below.

LQ1F4□: LQ-4N□□

LQ1F5□: LQ-5N□□

Different diameter tubing order example

Different diameter tubing (with plug-in reducer) can be selected within the same body class.

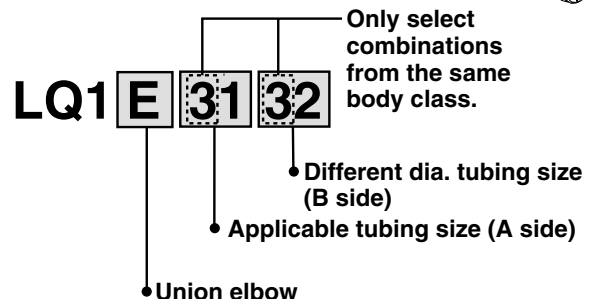
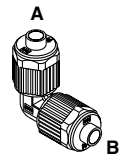
(Example) Union elbow

Body class 3

A side: $\varnothing 10 \times \varnothing 8$

B side: $\varnothing 8 \times \varnothing 6$

Order as shown below.

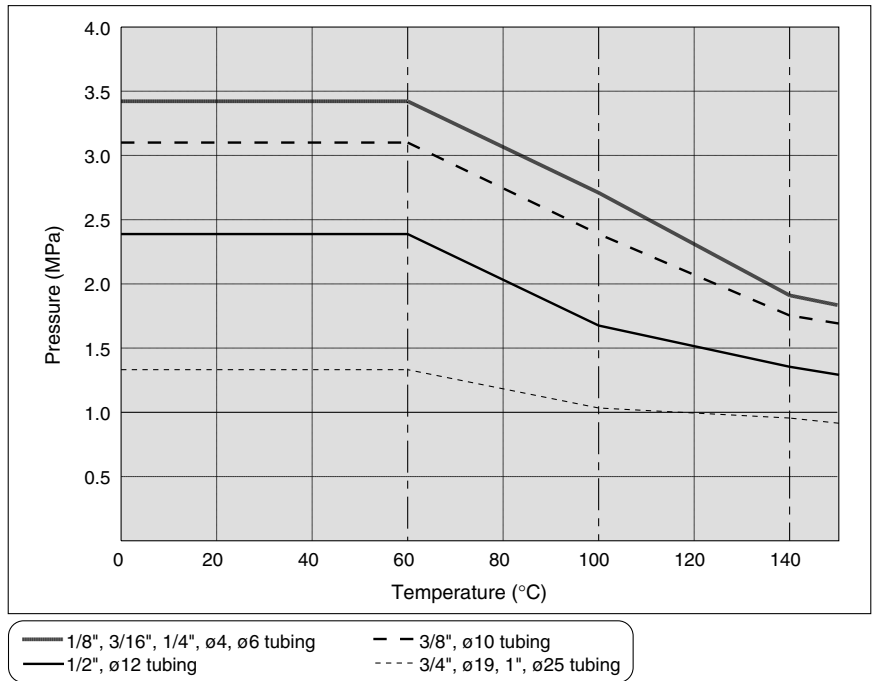




Specifications

Feature	Model	LQ1□10	LQ1□20	LQ1□30	LQ1□40	LQ1□50	LQ1□60
Material		NEW PFA					
Maximum operating pressure (at 20°C)		0.7 MPa					
Proof pressure		Refer to the withstand pressure and heat resistance performance curves.					
Operating temperature		0 to 150°C					

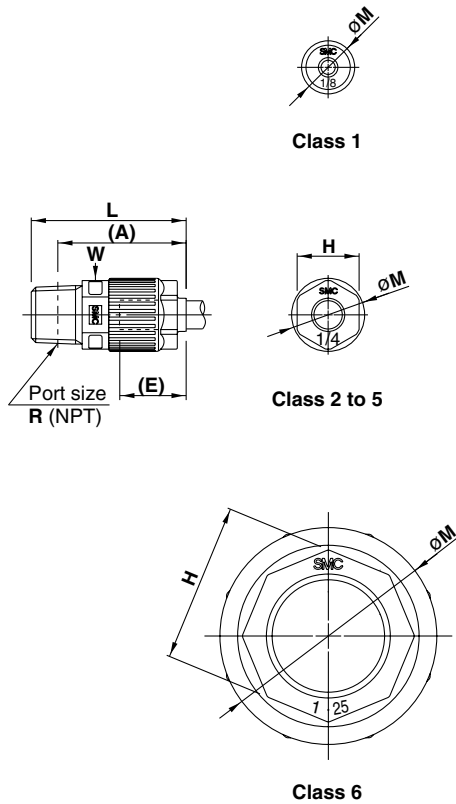
Burst Pressure and Heat Resistance Performance



Series LQ1

Dimensions

Male Connector: LQ1H-M



(A) shows the reference dimension after connection.
 (E) shows the approximate dimension of the inserted tubing from the end of the nut.
 "W" is width across flats dimension.

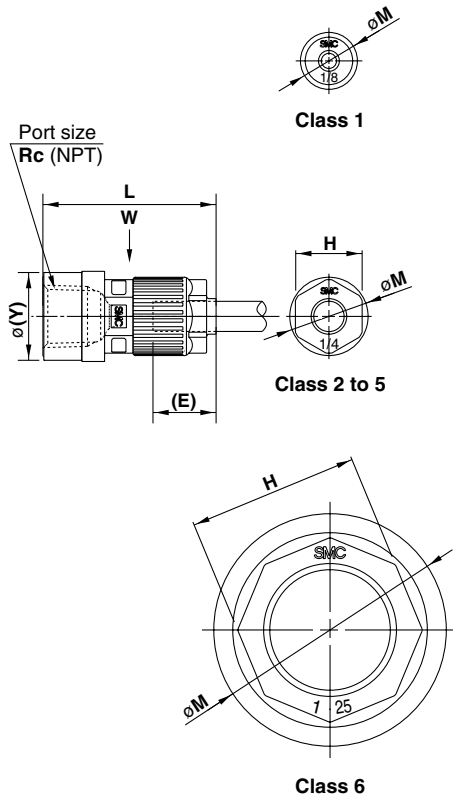
Metric sizes

Model	Applicable tubing O.D.	Connection threads R/NPT	A	E	H	L	M	W
LQ1H11-M□	ø4	1/8"	21	10	—	25	11.5	10
LQ1H12-M□	ø3							
LQ1H21-M□	ø6	1/8"	31.5	15	14	35	16.5	14
LQ1H22-M□	ø4							
LQ1H23-M□	ø6	1/4"	29	20	17	42.5	23	19
LQ1H24-M□	ø4							
LQ1H31-M□	ø10	1/4"	36.5	20	17	42.5	23	19
LQ1H32-M□	ø8							
LQ1H33-M□	ø6	3/8"	36	24	21	52	28	23
LQ1H34-M□	ø10							
LQ1H35-M□	ø8	3/8"	46	29	26	62.5	39	32
LQ1H36-M□	ø6							
LQ1H41-M□	ø12	3/8"	46	24	21	52	28	23
LQ1H42-M□	ø10							
LQ1H43-M□	ø12	1/2"	44	29	26	62.5	39	32
LQ1H44-M□	ø10							
LQ1H51-M□	ø19	1/2"	55	29	26	62.5	39	32
LQ1H52-M□	ø12							
LQ1H53-M□	ø19	3/4"	53.5	39.5	36	81	49	46
LQ1H54-M□	ø12							
LQ1H61-M□	ø25	3/4"	72	39.5	36	81	49	46
LQ1H62-M□	ø19							
LQ1H63-M□	ø25	1"	71	39.5	36	81	49	46
LQ1H64-M□	ø19							

Inch sizes

Model	Applicable tubing O.D.	Connection threads Rc/NPT	A	E	H	L	M	W
LQ1H1A-M□	1/8"	1/8"	21	10	—	25	11.5	10
LQ1H2A-M□	1/4"	1/8"	31.5	15	14	35	16.5	14
LQ1H2B-M□	3/16"							
LQ1H2C-M□	1/8"	1/4"	29	20	17	42.5	23	19
LQ1H2D-M□	1/4"							
LQ1H2E-M□	3/16"	1/4"	46	24	21	52	28	23
LQ1H2F-M□	1/8"							
LQ1H3A-M□	3/8"	1/4"	36.5	20	17	42.5	23	19
LQ1H3B-M□	1/4"							
LQ1H3C-M□	3/8"	3/8"	36	29	26	62.5	39	32
LQ1H3D-M□	1/4"							
LQ1H4A-M□	1/2"	3/8"	46	24	21	52	28	23
LQ1H4B-M□	3/8"							
LQ1H4C-M□	1/2"	1/2"	44	29	26	62.5	39	32
LQ1H4D-M□	3/8"							
LQ1H5A-M□	3/4"	1/2"	55	29	26	62.5	39	32
LQ1H5B-M□	1/2"							
LQ1H5C-M□	3/4"	3/4"	53.5	39.5	36	81	49	46
LQ1H5D-M□	1/2"							
LQ1H6A-M□	1"	3/4"	72	39.5	36	81	49	46
LQ1H6B-M□	3/4"							
LQ1H6C-M□	1"	1"	71	39.5	36	81	49	46
LQ1H6D-M□	3/4"							

Female Connector: LQ1H-F



(E) shows the reference of the inserted tubing from the end of the nut.
 "W" is width across flats dimension.

Metric sizes

Model	Applicable tubing O.D.	Connection threads Rc/NPT	E	H	L	M	W	Y
LQ1H11-F□	ø4	1/8"	10	—	26.5	ø11.5	10	ø18.5
LQ1H12-F□	ø3							
LQ1H21-F□	ø6	1/8"	15	14	35	ø16.5	14	ø18.5
LQ1H22-F□	ø4							
LQ1H23-F□	ø6	1/4"	20	17	42.5	ø23	19	ø21.5
LQ1H24-F□	ø4							
LQ1H31-F□	ø10	1/4"	20	17	42.5	ø23	19	ø21.5
LQ1H32-F□	ø8							
LQ1H33-F□	ø6	3/8"	24	21	50	ø28	23	ø29.5
LQ1H34-F□	ø10							
LQ1H35-F□	ø8	3/8"	29	26	60	ø39	32	ø36
LQ1H36-F□	ø6							
LQ1H41-F□	ø12	3/8"	39.5	36	75	ø49	46	ø36
LQ1H42-F□	ø10							
LQ1H43-F□	ø12	1/2"	29	26	60	ø39	32	ø36
LQ1H44-F□	ø10							
LQ1H51-F□	ø19	1/2"	39.5	36	78.5	ø49	46	ø44.5
LQ1H52-F□	ø12							
LQ1H53-F□	ø19	3/4"	29	26	60	ø39	32	ø36
LQ1H54-F□	ø12							
LQ1H61-F□	ø25	3/4"	39.5	36	75	ø49	46	ø36
LQ1H62-F□	ø19							
LQ1H63-F□	ø25	1"	39.5	36	78.5	ø49	46	ø44.5
LQ1H64-F□	ø19							

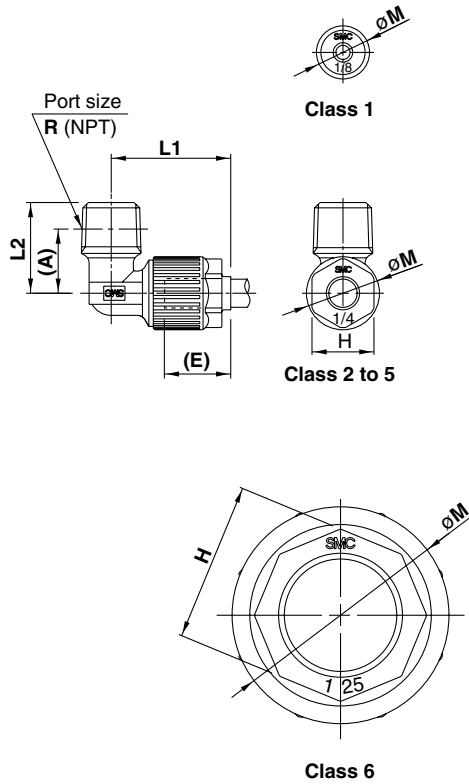
Inch sizes

Model	Applicable tubing O.D.	Connection threads Rc/NPT	E	H	L	M	W	Y
LQ1H1A-F□	1/8"	1/8"	10	—	26.5	ø11.5	10	ø18.5
LQ1H2A-F□	1/4"							
LQ1H2B-F□	3/16"	1/8"	15	14	35	ø16.5	14	ø18.5
LQ1H2C-F□	1/8"							
LQ1H2D-F□	1/4"	1/4"	20	17	42.5	ø23	19	ø21.5
LQ1H2E-F□	3/16"							
LQ1H2F-F□	1/8"	1/4"	24	21	50	ø28	23	ø29.5
LQ1H3A-F□	3/8"							
LQ1H3B-F□	1/4"	3/8"	29	26	60	ø39	32	ø36
LQ1H3C-F□	3/8"							
LQ1H3D-F□	1/4"	3/8"	39.5	36	75	ø49	46	ø36
LQ1H4A-F□	1/2"							
LQ1H4B-F□	3/8"	1/2"	29	26	60	ø39	32	ø36
LQ1H4C-F□	1/2"							
LQ1H4D-F□	3/8"	1/2"	39.5	36	78.5	ø49	46	ø44.5
LQ1H5A-F□	3/4"							
LQ1H5B-F□	1/2"	3/4"	29	26	60	ø39	32	ø36
LQ1H5C-F□	3/4"							
LQ1H5D-F□	1/2"	3/4"	39.5	36	75	ø49	46	ø36
LQ1H6A-F□	1"							
LQ1H6B-F□	3/4"	1"	39.5	36	78.5	ø49	46	ø44.5
LQ1H6C-F□	1"							
LQ1H6D-F□	3/4"	1"	39.5	36	78.5	ø49	46	ø44.5
LQ1H6E-F□	1"							

Series LQ1

Dimensions

Male Elbow: LQ1L-M



(A) shows the reference dimension after connection.
 (E) shows the approximate dimension of the inserted tubing from the end of the nut.

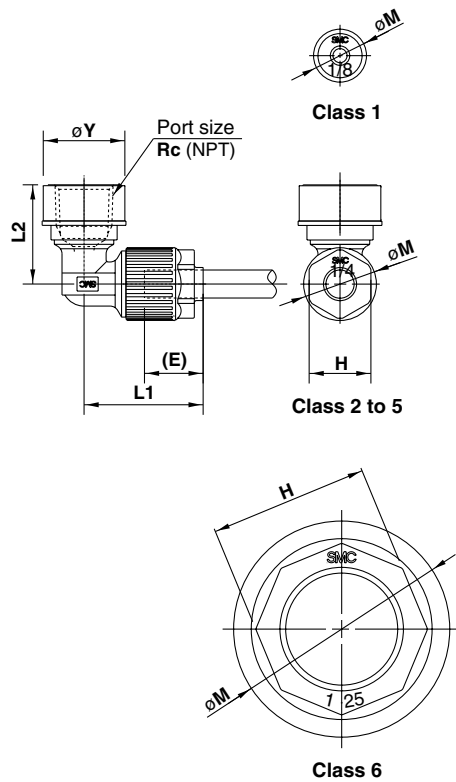
Metric sizes

Model	Applicable tubing O.D.	Connection threads R/NPT	A	E	H	L1	L2	M
LQ1L11-M□	ø4	1/8"	11.5	10	—	18	15	ø11.5
LQ1L12-M□	ø3							
LQ1L21-M□	ø6	1/8"	14.5	15	14	27	20.5	ø16.5
LQ1L22-M□	ø4							
LQ1L23-M□	ø6	1/4"	20	20	17	35	26.5	ø23
LQ1L24-M□	ø4							
LQ1L31-M□	ø10	1/4"	20	20	17	35	26.5	ø23
LQ1L32-M□	ø8							
LQ1L33-M□	ø6	3/8"	20	20	17	35	26.5	ø23
LQ1L34-M□	ø10							
LQ1L35-M□	ø8	3/8"	25	24	21	45	33	ø28
LQ1L36-M□	ø6							
LQ1L41-M□	ø12	3/8"	25	24	21	45	33	ø28
LQ1L42-M□	ø10							
LQ1L43-M□	ø12	1/2"	30.5	29	26	54	40	ø39
LQ1L44-M□	ø10							
LQ1L51-M□	ø19	1/2"	30.5	29	26	54	40	ø39
LQ1L52-M□	ø12							
LQ1L53-M□	ø19	3/4"	35	39.5	36	68.5	46	ø49
LQ1L54-M□	ø12							
LQ1L61-M□	ø25	3/4"	35	39.5	36	68.5	46	ø49
LQ1L62-M□	ø19							
LQ1L63-M□	ø25	1"	35	39.5	36	68.5	46	ø49
LQ1L64-M□	ø19							

Inch sizes

Model	Applicable tubing O.D.	Connection threads R/NPT	A	E	H	L1	L2	M
LQ1L1A-M□	1/8"	1/8"	11.5	10	—	18	15	ø11.5
LQ1L2A-M□	1/4"							
LQ1L2B-M□	3/16"	1/8"	14.5	15	14	27	20.5	ø16.5
LQ1L2C-M□	1/8"							
LQ1L2D-M□	1/4"	1/4"	14.5	15	14	27	20.5	ø16.5
LQ1L2E-M□	3/16"							
LQ1L2F-M□	1/8"	1/4"	20	20	17	35	26.5	ø23
LQ1L3A-M□	3/8"							
LQ1L3B-M□	1/4"	3/8"	20	20	17	35	26.5	ø23
LQ1L3C-M□	3/8"							
LQ1L3D-M□	1/4"	3/8"	25	24	21	45	33	ø28
LQ1L4A-M□	1/2"							
LQ1L4B-M□	3/8"	1/2"	25	24	21	45	33	ø28
LQ1L4C-M□	1/2"							
LQ1L4D-M□	3/8"	1/2"	30.5	29	26	54	40	ø39
LQ1L5A-M□	3/4"							
LQ1L5B-M□	1/2"	3/4"	30.5	29	26	54	40	ø39
LQ1L5C-M□	3/4"							
LQ1L5D-M□	1/2"	3/4"	35	39.5	36	68.5	46	ø49
LQ1L6A-M□	1"							
LQ1L6B-M□	3/4"	1"	35	39.5	36	68.5	46	ø49
LQ1L6C-M□	1"							
LQ1L6D-M□	3/4"	1"	35	39.5	36	68.5	46	ø49

Female Elbow: LQ1L-F



Metric sizes

Model	Applicable tubing O.D.	Connection threads Rc/NPT	E	H	L1	L2	M	Y
LQ1L11-F□	ø4	1/8"	10	—	18	17	ø11.5	ø18.5
LQ1L12-F□	ø3							
LQ1L21-F□	ø6	1/8"	15	14	27	19.5	ø16.5	ø18.5
LQ1L22-F□	ø4							
LQ1L23-F□	ø6	1/4"			22.5			ø21.5
LQ1L24-F□	ø4							
LQ1L31-F□	ø10	1/4"	20	17	35	23	ø23	ø21.5
LQ1L32-F□	ø8							
LQ1L33-F□	ø6	3/8"			25			ø25
LQ1L34-F□	ø10							
LQ1L35-F□	ø8	3/8"						
LQ1L36-F□	ø6							
LQ1L41-F□	ø12	3/8"	24	21	45	29	ø28	ø25
LQ1L42-F□	ø10							
LQ1L43-F□	ø12	1/2"			32.5			ø29.5
LQ1L44-F□	ø10							
LQ1L51-F□	ø19	1/2"	29	26	54	37.5	ø39	ø29.5
LQ1L52-F□	ø12							
LQ1L53-F□	ø19	3/4"			39.5			ø36
LQ1L54-F□	ø12							
LQ1L61-F□	ø25	3/4"	39.5	36	68.5	44.5	ø49	ø36
LQ1L62-F□	ø19							
LQ1L63-F□	ø25	1"			48			ø44.5
LQ1L64-F□	ø19							

(E) shows the reference dimension of the inserted tubing from the end of the nut.

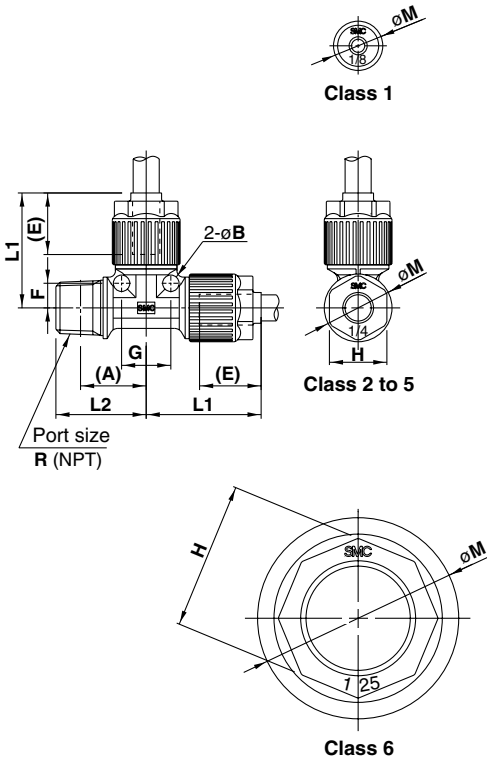
Inch sizes

Model	Applicable tubing O.D.	Connection threads Rc/NPT	E	H	L1	L2	M	Y
LQ1L1A-F□	1/8"	1/8"	10	—	18	17	ø11.5	ø18.5
LQ1L2A-F□	1/4"							
LQ1L2B-F□	3/16"	1/8"	15	14	27	19.5	ø16.5	ø18.5
LQ1L2C-F□	1/8"							
LQ1L2D-F□	1/4"	1/4"			22.5			ø21.5
LQ1L2E-F□	3/16"							
LQ1L2F-F□	1/8"	1/4"	20	17	35	23	ø23	ø21.5
LQ1L3A-F□	3/8"							
LQ1L3B-F□	1/4"	3/8"			25			ø25
LQ1L3C-F□	3/8"							
LQ1L3D-F□	1/4"	3/8"	24	21	45	29	ø28	ø25
LQ1L4A-F□	1/2"							
LQ1L4B-F□	3/8"	1/2"			32.5			ø29.5
LQ1L4C-F□	1/2"							
LQ1L4D-F□	3/8"	1/2"	29	26	54	37.5	ø39	ø29.5
LQ1L5A-F□	3/4"							
LQ1L5B-F□	1/2"	3/4"			39.5			ø36
LQ1L5C-F□	3/4"							
LQ1L5D-F□	1/2"	3/4"	39.5	36	68.5	44.5	ø49	ø36
LQ1L6A-F□	1"							
LQ1L6B-F□	3/4"	1"			48			ø44.5
LQ1L6C-F□	1"							
LQ1L6D-F□	3/4"							

Series LQ1

Dimensions

Male Run Tee: LQ1R-M



(A) shows the reference dimension after connection.
 (E) shows the approximate dimension of the inserted tubing from the end of the nut.

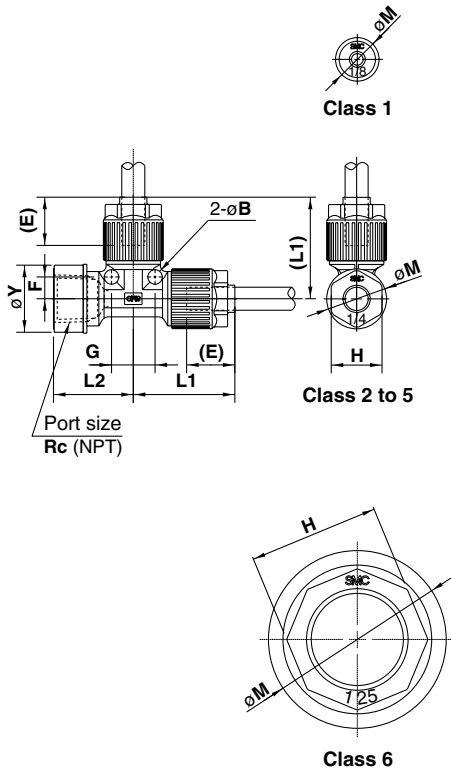
Metric sizes

Model	Applicable tubing O.D.	Connection threads R/NPT	A	B	E	F	G	H	L1	L2	M
LQ1R11-M□	ø4	1/8"	12	ø2	10	4	8	—	18.5	15.5	11.5
LQ1R12-M□	ø3										
LQ1R21-M□	ø6	1/8"	16	ø4	15	6	12	14	28	19.5	16.5
LQ1R22-M□	ø4										
LQ1R23-M□	ø6	1/4"	19	ø5	20	9	18	17	36.5	25	23
LQ1R24-M□	ø4										
LQ1R31-M□	ø10	1/4"	19	ø5	20	9	18	17	36.5	25	23
LQ1R32-M□	ø8										
LQ1R33-M□	ø6	3/8"	21	ø5	20	9	18	17	36.5	27	23
LQ1R34-M□	ø10										
LQ1R35-M□	ø8	3/8"	21	ø5	20	9	18	17	36.5	27	23
LQ1R36-M□	ø6										
LQ1R41-M□	ø12	3/8"	23	ø6	24	9	18	21	43	29	28
LQ1R42-M□	ø10										
LQ1R43-M□	ø12	1/2"	24.5	ø6	24	9	18	21	43	32	28
LQ1R44-M□	ø10										
LQ1R51-M□	ø19	1/2"	30.5	ø7	29	14	28	26	54	38	39
LQ1R52-M□	ø12										
LQ1R53-M□	ø19	3/4"	30	ø7	29	14	28	26	54	38	39
LQ1R54-M□	ø12										
LQ1R61-M□	ø25	3/4"	36	ø8	39.5	18	36	36	69.5	45	49
LQ1R62-M□	ø19										
LQ1R63-M□	ø25	1"	35	ø8	39.5	18	36	36	69.5	45	49
LQ1R64-M□	ø19										

Inch sizes

Model	Applicable tubing O.D.	Connection threads R/NPT	A	B	E	F	G	H	L1	L2	M
LQ1R1A-M□	1/8"	1/8"	12	ø2	10	4	8	—	18.5	15.5	11.5
LQ1R2A-M□	1/4"										
LQ1R2B-M□	3/16"	1/8"	16	ø4	15	6	12	14	28	19.5	16.5
LQ1R2C-M□	1/8"										
LQ1R2D-M□	1/4"	1/4"	16	ø4	15	6	12	14	28	19.5	16.5
LQ1R2E-M□	3/16"										
LQ1R2F-M□	1/8"	1/4"	16	ø4	15	6	12	14	28	19.5	16.5
LQ1R3A-M□	3/8"										
LQ1R3B-M□	1/4"	1/4"	19	ø5	20	9	18	17	36.5	25	23
LQ1R3C-M□	3/8"										
LQ1R3D-M□	1/4"	3/8"	21	ø5	20	9	18	17	36.5	27	23
LQ1R4A-M□	1/2"										
LQ1R4B-M□	3/8"	3/8"	23	ø6	24	9	18	21	43	29	28
LQ1R4C-M□	1/2"										
LQ1R4D-M□	3/8"	1/2"	24.5	ø6	24	9	18	21	43	32	28
LQ1R5A-M□	3/4"										
LQ1R5B-M□	1/2"	1/2"	30.5	ø7	29	14	28	26	54	38	39
LQ1R5C-M□	3/4"										
LQ1R5D-M□	1/2"	3/4"	30	ø7	29	14	28	26	54	38	39
LQ1R6A-M□	1"										
LQ1R6B-M□	3/4"	3/4"	36	ø8	39.5	18	36	36	69.5	45	49
LQ1R6C-M□	1"										
LQ1R6D-M□	3/4"	1"	35	ø8	39.5	18	36	36	69.5	45	49
LQ1R6E-M□	1"										

Female Run Tee: LQ1R-F



Metric sizes

Model	Applicable tubing O.D.	Connection threads Rc/NPT	B	E	F	G	H	L1	L2	M	Y
LQ1R11-F□	Ø4	1/8"	Ø2	10	4	8	—	18.5	16	Ø11.5	Ø18.5
LQ1R12-F□	Ø3										
LQ1R21-F□	Ø6	1/8"	Ø4	15	6	12	14	28	19.5	Ø16.5	Ø18.5
LQ1R22-F□	Ø4										
LQ1R23-F□	Ø6	1/4"	Ø5	20	9	18	17	36.5	22	Ø23	Ø21.5
LQ1R24-F□	Ø4										
LQ1R31-F□	Ø10	1/4"	Ø5	20	9	18	17	36.5	24	Ø23	Ø21.5
LQ1R32-F□	Ø8										
LQ1R33-F□	Ø6	3/8"	Ø6	24	9	18	21	43	25.5	Ø25	Ø25
LQ1R34-F□	Ø10										
LQ1R35-F□	Ø8	3/8"	Ø6	24	9	18	21	43	31.5	Ø28	Ø29.5
LQ1R36-F□	Ø6										
LQ1R41-F□	Ø12	1/2"	Ø7	29	14	28	26	54	35.5	Ø39	Ø29.5
LQ1R42-F□	Ø10										
LQ1R43-F□	Ø12	3/4"	Ø7	29	14	28	26	54	37	Ø36	Ø36
LQ1R44-F□	Ø10										
LQ1R51-F□	Ø19	3/4"	Ø8	39.5	18	36	36	69.5	42.5	Ø49	Ø36
LQ1R52-F□	Ø12										
LQ1R53-F□	Ø19	1"	Ø8	39.5	18	36	36	69.5	46	Ø49	Ø44.5
LQ1R54-F□	Ø12										
LQ1R61-F□	Ø25	1"	Ø8	39.5	18	36	36	69.5	46	Ø49	Ø44.5
LQ1R62-F□	Ø19										
LQ1R63-F□	Ø25	3/4"	Ø8	39.5	18	36	36	69.5	46	Ø49	Ø44.5
LQ1R64-F□	Ø19										

(E) shows the approximate dimension of the inserted tubing from the end of the nut.

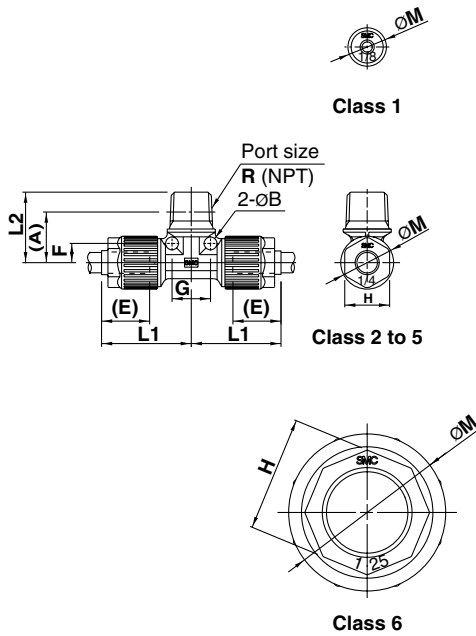
Inch sizes

Model	Applicable tubing O.D.	Connection threads Rc/NPT	B	E	F	G	H	L1	L2	M	Y
LQ1R1A-F□	1/8"	1/8"	Ø2	10	4	8	—	18.5	16	Ø11.5	Ø18.5
LQ1R2A-F□	1/4"										
LQ1R2B-F□	3/16"	1/8"	Ø4	15	6	12	14	28	19.5	Ø16.5	Ø18.5
LQ1R2C-F□	1/8"										
LQ1R2D-F□	1/4"	1/4"	Ø5	20	9	18	17	36.5	22	Ø23	Ø21.5
LQ1R2E-F□	3/16"										
LQ1R2F-F□	1/8"	1/4"	Ø5	20	9	18	17	36.5	24	Ø23	Ø21.5
LQ1R3A-F□	3/8"										
LQ1R3B-F□	1/4"	3/8"	Ø6	24	9	18	21	43	25.5	Ø25	Ø25
LQ1R3C-F□	3/8"										
LQ1R3D-F□	1/4"	3/8"	Ø6	24	9	18	21	43	31.5	Ø28	Ø29.5
LQ1R4A-F□	1/2"										
LQ1R4B-F□	3/8"	1/2"	Ø7	29	14	28	26	54	35.5	Ø39	Ø29.5
LQ1R4C-F□	1/2"										
LQ1R4D-F□	3/8"	3/4"	Ø7	29	14	28	26	54	37	Ø36	Ø36
LQ1R5A-F□	3/4"										
LQ1R5B-F□	1/2"	3/4"	Ø8	39.5	18	36	36	69.5	42.5	Ø49	Ø36
LQ1R5C-F□	3/4"										
LQ1R5D-F□	1/2"	1"	Ø8	39.5	18	36	36	69.5	46	Ø49	Ø44.5
LQ1R6A-F□	1"										
LQ1R6B-F□	3/4"	1"	Ø8	39.5	18	36	36	69.5	46	Ø49	Ø44.5
LQ1R6C-F□	1"										
LQ1R6D-F□	3/4"	3/4"	Ø8	39.5	18	36	36	69.5	46	Ø49	Ø44.5
LQ1R6E-F□	3/4"										

Series LQ1

Dimensions

Male Branch Tee: LQ1B-M



Metric sizes

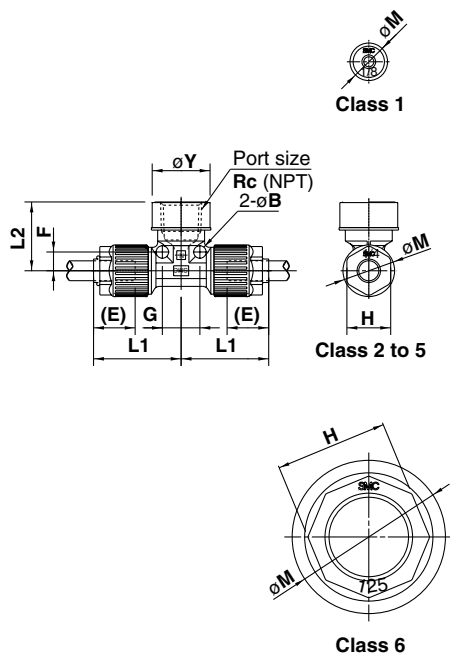
Model	Applicable tubing O.D.	Connection threads R/NPT	A	B	E	F	G	H	L1	L2	M
LQ1B11-M□	ø4	1/8"	12	ø2	10	4	8	-	18.5	15.5	11.5
LQ1B12-M□	ø3										
LQ1B21-M□	ø6	1/8"	16	ø4	15	6	12	14	28	19.5	16.5
LQ1B22-M□	ø4										
LQ1B23-M□	ø6	1/4"	19	ø5	20	9	18	17	36.5	22	23
LQ1B24-M□	ø4										
LQ1B31-M□	ø10	1/4"	19	ø5	20	9	18	17	36.5	25	23
LQ1B32-M□	ø8										
LQ1B33-M□	ø6	3/8"	21	ø5	20	9	18	17	36.5	27	23
LQ1B34-M□	ø10										
LQ1B35-M□	ø8	3/8"	21	ø5	20	9	18	17	36.5	27	23
LQ1B36-M□	ø6										
LQ1B41-M□	ø12	3/8"	23	ø6	24	9	18	21	43	29	28
LQ1B42-M□	ø10										
LQ1B43-M□	ø12	1/2"	24.5	ø6	24	9	18	21	43	32	28
LQ1B44-M□	ø10										
LQ1B51-M□	ø19	1/2"	30.5	ø7	29	14	28	26	54	38	39
LQ1B52-M□	ø12										
LQ1B53-M□	ø19	3/4"	30	ø7	29	14	28	26	54	39	39
LQ1B54-M□	ø12										
LQ1B61-M□	ø25	3/4"	36	ø8	39.5	18	36	36	69.5	45	49
LQ1B62-M□	ø19										
LQ1B63-M□	ø25	1"	35	ø8	39.5	18	36	36	69.5	45	49
LQ1B64-M□	ø19										

Inch sizes

Model	Applicable tubing O.D.	Connection threads R/NPT	A	B	E	F	G	H	L1	L2	M
LQ1B1A-M□	1/8"	1/8"	12	ø2	10	4	8	-	18.5	15.5	11.5
LQ1B2A-M□	1/4"										
LQ1B2B-M□	3/16"	1/8"	16	ø4	15	6	12	14	28	19.5	16.5
LQ1B2C-M□	1/8"										
LQ1B2D-M□	1/4"	1/4"	19	ø4	15	6	12	14	28	22	16.5
LQ1B2E-M□	3/16"										
LQ1B2F-M□	1/8"	1/4"	19	ø4	15	6	12	14	28	22	16.5
LQ1B3A-M□	3/8"										
LQ1B3B-M□	1/4"	1/4"	19	ø5	20	9	18	17	36.5	25	23
LQ1B3C-M□	3/8"										
LQ1B3D-M□	1/4"	3/8"	21	ø5	20	9	18	17	36.5	27	23
LQ1B4A-M□	1/2"										
LQ1B4B-M□	3/8"	3/8"	23	ø6	24	9	18	21	43	29	28
LQ1B4C-M□	1/2"										
LQ1B4D-M□	3/8"	1/2"	24.5	ø6	24	9	18	21	43	32	28
LQ1B5A-M□	3/4"										
LQ1B5B-M□	1/2"	1/2"	30.5	ø7	29	14	28	26	54	38	39
LQ1B5C-M□	3/4"										
LQ1B5D-M□	1/2"	3/4"	30	ø7	29	14	28	26	54	39	39
LQ1B6A-M□	1"										
LQ1B6B-M□	3/4"	3/4"	36	ø8	39.5	18	36	36	69.5	45	49
LQ1B6C-M□	1"										
LQ1B6D-M□	3/4"	1"	35	ø8	39.5	18	36	36	69.5	45	49
LQ1B6E-M□	1"										

(A) shows the reference dimension after connection.
 (E) shows the approximate dimension of the inserted tubing from the end of the nut.

Female Branch Tee: LQ1B-F



Metric sizes

Model	Applicable tubing O.D.	Connection threads Rc/NPT	B	E	F	G	H	L1	L2	M	Y
LQ1B11-F□	Ø4	1/8"	Ø2	10	4	8	-	18.5	16	Ø11.5	Ø18.5
LQ1B12-F□	Ø3										
LQ1B21-F□	Ø6	1/8"	Ø4	15	6	12	14	28	19.5	Ø16.5	Ø18.5
LQ1B22-F□	Ø4										
LQ1B23-F□	Ø6	1/4"	Ø4	15	6	12	14	28	22	Ø16.5	Ø21.5
LQ1B24-F□	Ø4										
LQ1B31-F□	Ø10	1/4"	Ø5	20	9	18	17	36.5	23.7	Ø23	Ø21.5
LQ1B32-F□	Ø8										
LQ1B33-F□	Ø6	3/8"	Ø5	20	9	18	17	36.5	25.5	Ø23	Ø25
LQ1B34-F□	Ø10										
LQ1B35-F□	Ø8	3/8"	Ø5	20	9	18	17	36.5	25.5	Ø23	Ø25
LQ1B36-F□	Ø6										
LQ1B41-F□	Ø12	3/8"	Ø6	24	9	18	21	43	25	Ø28	Ø25
LQ1B42-F□	Ø10										
LQ1B43-F□	Ø12	1/2"	Ø6	24	9	18	21	43	31.5	Ø28	Ø29.5
LQ1B44-F□	Ø10										
LQ1B51-F□	Ø19	1/2"	Ø7	29	14	28	26	54	35.5	Ø39	Ø29.5
LQ1B52-F□	Ø12										
LQ1B53-F□	Ø19	3/4"	Ø7	29	14	28	26	54	37	Ø39	Ø36
LQ1B54-F□	Ø12										
LQ1B61-F□	Ø25	3/4"	Ø8	39.5	18	36	36	69.5	42.5	Ø49	Ø36
LQ1B62-F□	Ø19										
LQ1B63-F□	Ø25	1"	Ø8	39.5	18	36	36	69.5	46	Ø49	Ø44.5
LQ1B64-F□	Ø19										

(E) shows the approximate dimension of the inserted tubing from the end of the nut.

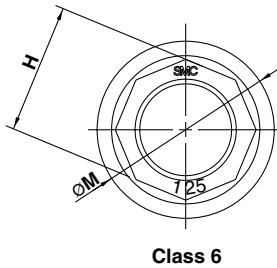
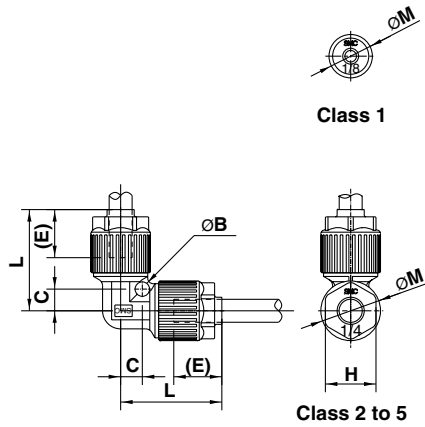
Inch sizes

Model	Applicable tubing O.D.	Connection threads Rc/NPT	B	E	F	G	H	L1	L2	M	Y
LQ1B1A-F□	1/8"	1/8"	Ø2	10	4	8	-	18.5	16	Ø11.5	Ø18.5
LQ1B2A-F□	1/4"										
LQ1B2B-F□	3/16"	1/8"	Ø4	15	6	12	14	28	19.5	Ø16.5	Ø18.5
LQ1B2C-F□	1/8"										
LQ1B2D-F□	1/4"	1/4"	Ø4	15	6	12	14	28	22	Ø16.5	Ø21.5
LQ1B2E-F□	3/16"										
LQ1B2F-F□	1/8"	1/4"	Ø4	15	6	12	14	28	22	Ø16.5	Ø21.5
LQ1B3A-F□	3/8"										
LQ1B3B-F□	1/4"	1/4"	Ø5	20	9	18	17	36.5	23.7	Ø23	Ø21.5
LQ1B3C-F□	3/8"										
LQ1B3D-F□	1/4"	3/8"	Ø5	20	9	18	17	36.5	25.5	Ø23	Ø25
LQ1B4A-F□	1/2"										
LQ1B4B-F□	3/8"	3/8"	Ø6	24	9	18	21	43	25	Ø28	Ø25
LQ1B4C-F□	1/2"										
LQ1B4D-F□	3/8"	1/2"	Ø6	24	9	18	21	43	31.5	Ø28	Ø29.5
LQ1B5A-F□	3/4"										
LQ1B5B-F□	1/2"	1/2"	Ø7	29	14	28	26	54	35.5	Ø39	Ø29.5
LQ1B5C-F□	3/4"										
LQ1B5D-F□	1/2"	3/4"	Ø7	29	14	28	26	54	37	Ø39	Ø36
LQ1B6A-F□	1"										
LQ1B6B-F□	3/4"	3/4"	Ø8	39.5	18	36	36	69.5	42.5	Ø49	Ø36
LQ1B6C-F□	1"										
LQ1B6D-F□	3/4"	1"	Ø8	39.5	18	36	36	69.5	46	Ø49	Ø44.5
LQ1B6D-F□	3/4"										

Series LQ1

Dimensions

Union Elbow: LQ1E



(E) shows the approximate dimension of the inserted tubing from the end of the nut.

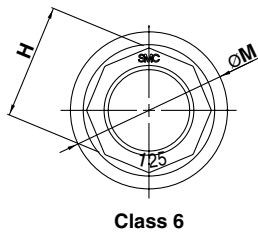
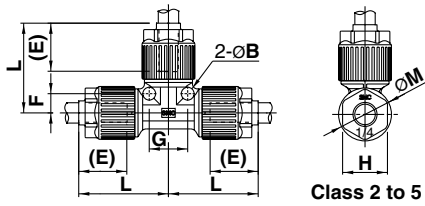
Metric sizes

Model	Applicable tubing O.D.	B	C	E	H	L	M
LQ1E11□□	ø4	ø2	4	10	—	18.5	ø11.5
LQ1E12□□	ø3						
LQ1E21□□	ø6	ø4	6	15	14	28	ø16.5
LQ1E22□□	ø4						
LQ1E31□□	ø10	ø5	9	20	17	36.5	ø23
LQ1E32□□	ø8						
LQ1E33□□	ø6						
LQ1E41□□	ø12	ø6	9	24	21	43	ø28
LQ1E42□□	ø10						
LQ1E51□□	ø19	ø7	14	29	26	54	ø39
LQ1E52□□	ø12						
LQ1E61□□	ø25	ø8	18	39.5	36	69.5	ø49
LQ1E62□□	ø19						

Inch sizes

Model	Applicable tubing O.D.	B	C	E	H	L	M
LQ1E1A□□	1/8"	ø2	4	10	—	18.5	ø11.5
LQ1E2A□□	1/4"						
LQ1E2B□□	3/16"	ø4	6	15	14	28	ø16.5
LQ1E2C□□	1/8"						
LQ1E3A□□	3/8"	ø5	9	20	17	36.5	ø23
LQ1E3B□□	1/4"						
LQ1E4A□□	1/2"	ø6	9	24	21	43	ø28
LQ1E4B□□	3/8"						
LQ1E5A□□	3/4"	ø7	14	29	26	54	ø39
LQ1E5B□□	1/2"						
LQ1E6A□□	1"	ø8	18	39.5	36	69.5	ø49
LQ1E6B□□	3/4"						

Union Tee: LQ1T



(E) shows the approximate dimension of the inserted tubing from the end of the nut.

Metric sizes

Model	Applicable tubing O.D.	B	E	F	G	H	L	M
LQ1T11□□	ø4	ø2	10	4	8	—	18.5	11.5
LQ1T12□□	ø3							
LQ1T21□□	ø6	ø4	15	6	12	14	28	16.5
LQ1T22□□	ø4							
LQ1T31□□	ø10	ø5	20	9	18	17	36.5	23
LQ1T32□□	ø8							
LQ1T33□□	ø6							
LQ1T41□□	ø12	ø6	24	9	18	21	43	28
LQ1T42□□	ø10							
LQ1T51□□	ø19	ø7	29	14	28	26	54	39
LQ1T52□□	ø12							
LQ1T61□□	ø25	ø8	39.5	18	36	36	69.5	49
LQ1T62□□	ø19							

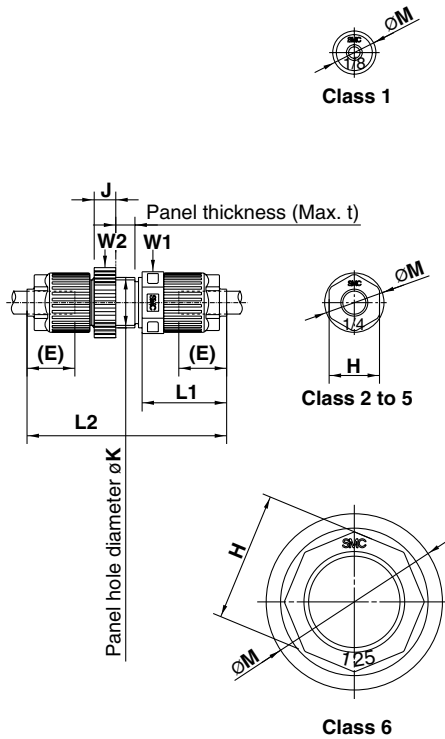
Inch sizes

Model	Applicable tubing O.D.	B	E	F	G	H	L	M
LQ1T1A□□	1/8"	ø2	10	4	8	—	18.5	11.5
LQ1T2A□□	1/4"							
LQ1T2B□□	3/16"	ø4	15	6	12	14	28	16.5
LQ1T2C□□	1/8"							
LQ1T3A□□	3/8"	ø5	20	9	18	17	36.5	23
LQ1T3B□□	1/4"							
LQ1T4A□□	1/2"	ø6	24	9	18	21	43	28
LQ1T4B□□	3/8"							
LQ1T5A□□	3/4"	ø7	29	14	28	26	54	39
LQ1T5B□□	1/2"							
LQ1T6A□□	1"	ø8	39.5	18	36	36	69.5	49
LQ1T6B□□	3/4"							

Series LQ1

Dimensions

Panel Mount Union: LQ1P



(E) shows the approximate dimension of the inserted tubing from the end of the nut.
 "W" is width across flats dimension.

Metric sizes

Model	Applicable tubing O.D.	E	H	J	K	L1	L2	M	t	W1	W2
LQ1P11□□	ø4	10	—	6	10.5	17	44	ø11.5	8	11	13
LQ1P12□□	ø3										
LQ1P21□□	ø6	15	14	6	14.5	23.5	55.5	ø16.5	8	15	17
LQ1P22□□	ø4										
LQ1P31□□	ø10	20	17	7	20.5	30	69	ø23	8	21	24
LQ1P32□□	ø8										
LQ1P33□□	ø6										
LQ1P41□□	ø12	24	21	7	24.5	35	78.5	ø28	8	26	28
LQ1P42□□	ø10										
LQ1P51□□	ø19	29	26	9	36.5	43.5	100	ø39	9	39	43
LQ1P52□□	ø12										
LQ1P61□□	ø25	39.5	36	10	48.5	58.5	133	ø49	10	51	55
LQ1P62□□	ø19										

Inch sizes

Model	Applicable tubing O.D.	E	H	J	K	L1	L2	M	t	W1	W2
LQ1P1A□□	1/8"	10	—	6	10.5	17	44	ø11.5	8	11	13
LQ1P2A□□	1/4"										
LQ1P2B□□	3/16"	15	14	6	14.5	23.5	55.5	ø16.5	8	15	17
LQ1P2C□□	1/8"										
LQ1P3A□□	3/8"	20	17	7	20.5	30	69	ø23	8	21	24
LQ1P3B□□	1/4"										
LQ1P4A□□	1/2"	24	21	7	24.5	35	78.5	ø28	8	26	28
LQ1P4B□□	3/8"										
LQ1P5A□□	3/4"	29	26	9	36.5	43.5	100	ø39	9	39	43
LQ1P5B□□	1/2"										
LQ1P6A□□	1"	39.5	36	10	48.5	58.5	133	ø49	10	51	55
LQ1P6B□□	3/4"										